



Color-Keyed

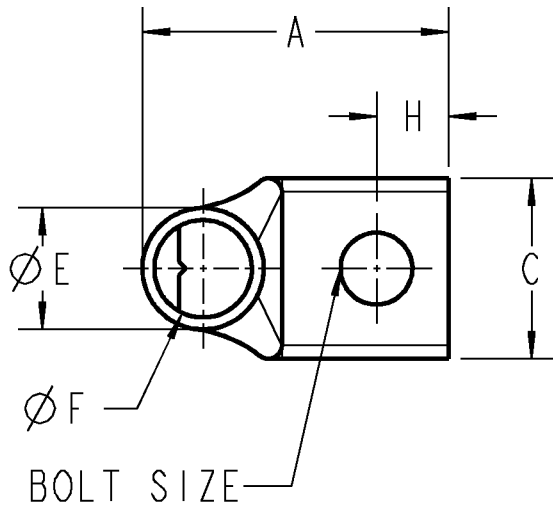


FIG.1

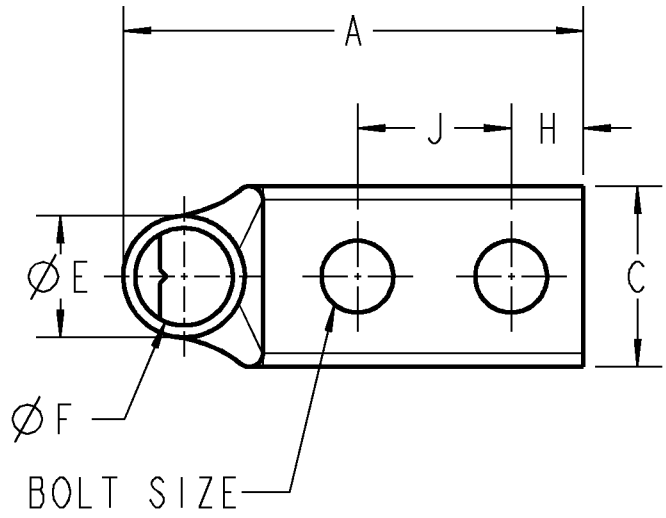


FIG.2

NOTES:

1. MATERIAL: HIGH-CONDUCTIVITY WROUGHT COPPER
2. FINISH: ELECTRO TIN PLATE
3. TEMPERATURE RATING: 90 °C

GENERAL NOTES

1. ALL DIMENSIONS ARE FOR REFERENCE ONLY.
2. DIMENSIONS IN BRACKETS [] ARE IN METRIC UNITS.

REVISIONS

- SEE ERN (****) FOR APPROVAL SIGNATURES & RELEASE DATE.
PROJECT NO: ****

Thomas&Betts
www.tnb.com

DESCRIPTION:

**T&B METHOD 90° BENT
COLOR-KEYED COPPER TUBING LUGS**

ORIGINAL PROJECT NO / (ERN NO)

CM402358/ (2014449)

SHEET NO:

1 OF 4

REV. NO:

-

DRAWING NO:

WSD-001111

MODEL CAT. NO	FIG. NO.	WIRE SIZE	BOLT SIZE	A	B	C	D	E	F	G	H	J	INSTALLING INFORMATION		STRID LENGTH						
													COLOR KEYED	DIE CODE							
256-30695-473	1	#8 AWG	6, 7, 8	25/32	15/32	13/32	5/64	1/4	3/16	I	7/32	—	RED	21	7/16						
54104UB			8, 9, 10													1/4	7/8	9/16	15/32	1/16	3/8
54130UB			1/4	7/8	9/16	15/32	1/16				3/8										
54132UB			3/8	1-1/8	13/16	19/32	1-1/16				3/8										
54132UBB		3/8	1-9/16	1-1/4																	
54134UB		#6 AWG	8, 9, 10	27/32	15/32	7/16	3/32	9/32	7/32	I	—	BLUE	24								
54105UB			1/4	13/16	9/16									19/32		1/16	7/32				
54135UB			5/16	1-3/32	3/4	19/32	1/16							1/4							
54136UB			3/8	1-3/16	13/16									11/32							
54138UB		#4 AWG	8, 9, 10	15/16	15/32	9/16	3/32	23/64	17/64	1-1/8	—	GREY	29								
54106UB			1/4	I	9/16									5/8		1/16	7/32				
54139UB			5/16	1-3/16	23/32	5/8	1/16							1/4							
54140UB			3/8	1-1/4	13/16									11/32							
54140UBB		3/8	1-13/16	1-3/8			3/8														
54107UB		#2 AWG	1/4	1-1/32	9/16	19/32	3/32				—										
54207UB		2	#2 125/24	1/4	1-11/16	1-3/16			13/32	19/64	1-1/4	1/4	5/8	BROWN		33					
54142UB	1	#2 AWG	5/16	1-3/16	23/32	11/16	1/16	17/32	25/64	1-1/2	3/8	—	PINK	42							
54143UB			3/8	1-9/32	13/16										1-1/2	11/32					
54108UB		#1 STR 150/24 175/24	1/4	1-1/8	9/16	43/64									15/32	23/64	1-1/8	1/4	—	GREEN	37
54109UB		1/0	3/8	1-7/16	13/16	3/4	1/8								17/32	25/64	1-1/2	3/8	—	PINK	42
54109UBB			2-3/16	1-9/16	3/4			1-9/16													
54155UB		1/2	1-21/32	1-1/16							1-1/2	1/2									
54152UB		1/0 225/24	1/4	1-5/16	23/32	3/4					1-1/2	11/32									
54110UB		2/0 275/24	3/8	1-1/2	13/16	15/16	9/64	37/64	29/64	1-3/16	3/8	—	BLACK	45							
54111UB		3/0 325/24		1-17/32				15/16	5/8	1/2		1-7/32	—	ORANGE	50						
54112UB		4/0 450/24	1/4	1-5/8	13/16	1-1/32	5/32	45/64	9/16	1-5/16	1/4	—	PURPLE	54							
54167UB		1/4		1-5/8				1-1/32	5/32	45/64		9/16	1-5/16	1/4	—	PURPLE	54				

Thomas & Betts
www.tnb.com

DESCRIPTION: **T&B METHOD 90° BENT
COLOR-KEYED COPPER TUBING LUGS**

SHEET NO:
2 OF 4

REV. NO:
-

DRAWING NO:
WSD-001111

MODEL CAT. NO	FIG. NO.	WIRE SIZE	BOLT SIZE	A	B	C	D	E	F	G	H	J	INSTALLING INFORMATION		STRID LENGTH
													COLOR KEYED	DIE CODE	
58163UB	1	4/0 W 550/24	3/8	2	1	1-1/4	3/16	27/32	45/64	1-3/8	3/8	—	YELLOW	62	1-1/8
58165UB			1/2	2-5/32	1-1/8						1/2	—			
58265UB	2	250 MCM	3/8	3-17/32	2-13/16	1-3/16	49/64	5/8	3/8	1	9/16	—	RED	71	1-1/8
54213UB				3-5/32	1-13/16										
54115UB	1	350	1/2	2-1/4	1-3/16	1-3/8	13/64	15/16	3/4	1-7/16	9/16	—	RED	71	1-1/8
54215UB	2		3/8	2-13/16	1-13/16	1-5/16	7/32				3/8	1			
58177UB	1	400 W 925/70	1/2	1-15/16	1-5/16	1-5/8	1/4	1-3/32	7/8	2	9/16	—	—	80	1-3/8
58277UB	2			3-7/16	2-13/16						1/2	1-3/4			
54118UB	1	500	3/8	2-5/8	1-5/16	1-3/4	17/64	1-3/16	61/64	7/8	9/16	—	BROWN	87	1-5/16
54218UB	2			3-5/32	1-13/16						3/8	1			
54120UB	1	600 MCM	5/8	3	1-11/16	1-25/32	9/32	1-1/4	31/32	13/16	—	—	PINK	99	1-1/2
58182UB		535 1325/24			1/2										
54123UB	1	750	5/8	3-9/32	1-11/16	1-15/16	5/16	1-21/64	1-1/16	2-3/16	13/16	—	BLACK	106	1-5/8
54223UB	2		1/2	4-13/32	2-13/16		15/16				1/2	1-3/4			
54126UB	1	900 1925/24	5/8	3-5/16	1-13/16	2-3/16	11/32	1-1/2	1-3/16	2-11/16	7/8	—	YELLOW	115	1-5/8
54226UB	2		1/2	4-11/16	2-7/8						1/2	1-3/4			
54205UB	2	#6 AWG	1/4	1-5/8	1-3/16	7/16	7/64	9/32	7/32	1	1/4	5/8	BLUE	24	7/16
54210UB		2/0 275/24	3/8	2-5/8	1-13/16	13/16	9/64	37/64	29/64	1-1/2	3/8	1	BLACK	45	3/4
54114UB	1	300 MCM	1/2	2-1/8	1-1/8	1-1/4	3/16	27/32	45/64	1-11/32	1/2	—	WHITE	66	1-1/8
54905BEUB		#6-61/24	1/4	7/8	1/2	7/16	7/64	19/64	7/32	1	1/4	—	BLUE	24	3/4
54906BEUB		#4-91/24		1-1/16		9/16		23/64	17/64	1-1/8		GREY	29		
256-30695-1356	2	#6-61/24	#10	1-5/8	1-3/16	7/16	5/64	9/32	7/32	1	7/32	5/8	BLUE	24	5/8
256-30695-1014B		#6	1/4	2-1/16	1-1/2	27/64		19/64	7/32	1-1/4	1/4	1	BLUE	24	3/4
54852BE		250 MCM	1/2	4	3	1-3/32				9/64	2-3/16	1/2	1-3/4	YELLOW	62
54868BEUB		250 MCM	1/2	4	3	1-3/32		9/64	2-3/16	1/2	1-3/4	YELLOW	62	1-5/16	

Thomas & Betts
www.tnb.com

DESCRIPTION: **T&B METHOD 90° BENT
COLOR-KEYED COPPER TUBING LUGS**

SHEET NO: 3 OF 4	REV. NO: -	DRAWING NO: WSD-001111
----------------------------	---------------	----------------------------------

MODEL CAT. NO	FIG. NO.	WIRE SIZE	BOLT SIZE	A	B	C	D	E	F	G	H	J	INSTALLING INFORMATION		STRID LENGTH
													COLOR KEYED	DIE CODE	
58174UB	1	350 WELD	1/2	1-3/32	1-1/4	1-5/8	1/4	1-3/32	7/8	2	1/2	—	BLUE	76	1-5/16
54850BEUB		#8	1/4	1-5/8	1-3/16	15/32	1/16	9/32	7/32	1	1/4	5/8	RED	21	3/4
54214UB	2	300 MCM	3/8	3-17/32		1-1/4	3/16	27/32	45/64	1-13/32	3/8	1	WHITE	66	1-1/8
256-30695-1116UB		2/0		2-1/2		13/16	9/64	37/64	29/64	1-3/4			BLACK	45	1
256-30695-1117UB		4/0		2-5/8		1-1/32	5/32	45/64	9/16	1-5/8			PURPLE	54	1-5/16
54864BE0616UB		3/0		2-17/32		15/16	9/64	5/8	1/2	1-7/16			ORANGE	50	1-1/8

Thomas & Betts
www.tnb.com

DESCRIPTION: **T&B METHOD 90° BENT
COLOR-KEYED COPPER TUBING LUGS**

SHEET NO:

4 OF 4

REV. NO:

-

DRAWING NO:

WSD-001111