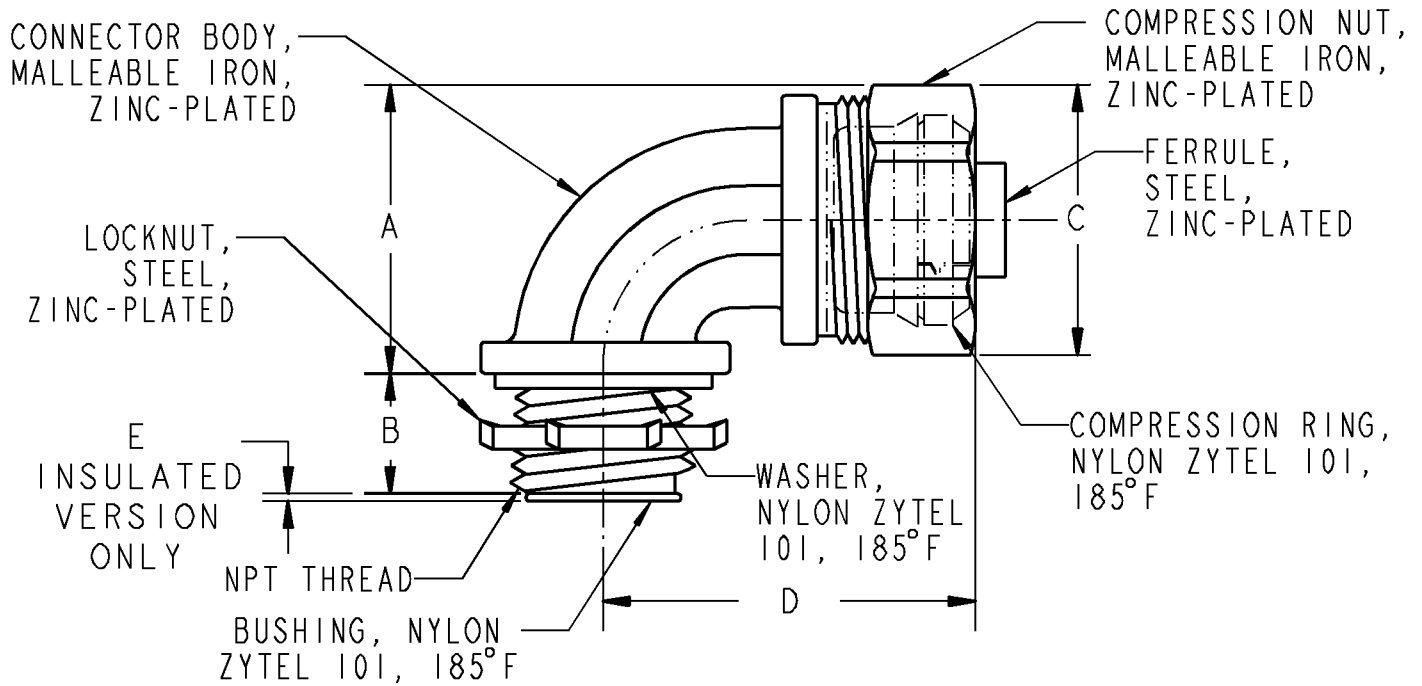




Steel City



* ADD A 'T' TO CATALOG NO. FOR INSULATED VERSION (EXAMPLE LT438T-SC).

T&B CAT NO.*	SIZE	NPT	A±.031	B±.031	C±.031	D±.031	E±.020
LT938-SC	3/8"	1/2-14	1.365	.520	1.200	1.680	.060
LT950-SC	1/2"	1/2-14	1.470	.520	1.330	1.620	
LT975-SC	3/4"	3/4-14	1.760	.560	1.585	1.800	
LT9100-SC	1"	1-11 1/2	2.150	.630	1.840	2.100	
LT9125-SC	1-1/4"	1 1/4-11 1/2	2.340	.690	2.250	2.270	
LT9150-SC	1-1/2"	1 1/2-11 1/2	2.660	.680	2.500	2.530	
LT9200-SC	2"	2-11 1/2	3.040	.750	3.000	2.770	

T&B CAT NO.	SIZE	NPT	A±.062	B±.062	C±.062	D±.062	E±.020
LT9250-SC	2 1/2"	2 1/2-8	8.400	1.100	4.040	8.050	.100
LT9300-SC	3"	3-8	9.600	1.150	4.840	9.220	
LT9350-SC	3 1/2"	3 1/2-8	11.750	1.120	5.530	11.070	
LT9400-SC	4"	4-8	14.000	1.250	6.120	13.120	

GENERAL NOTES

- ALL DIMENSIONS ARE FOR REFERENCE ONLY.
- DIMENSIONS IN BRACKETS [] ARE IN METRIC UNITS.

REVISIONS

- | | |
|---|---|
| 1 | SEE ERN (2015699) FOR APPROVAL SIGNATURES & RELEASE DATE.
PROJECT NO: 011P000559 |
|---|---|

www.tnb.com

Thomas & Betts
A Member of the ABB Group

DESCRIPTION: **3/8" TO 4" MALLEABLE IRON,
90° LIQUIDTIGHT FITTINGS, STEEL CITY**

ORIGINAL PROJECT NO / (ERN NO)

SHEET NO:

REV. NO:

DRAWING NO:

01D000559 / (2015672)

1 OF 1

1

WSD-001295