

## Conduit Outlet Bodies

### T&B Conduit Fittings for Ordinary and Hazardous Locations

T&B Fittings



Thomas & Betts offers a broad range of conduit bodies, conduit boxes, conduit fittings, unions, sealing fittings, drains and cable fittings for both ordinary and hazardous locations. Complete information on applications, features, materials, finishes, size range and certifications is provided in the following pages.

#### Conduit Bodies (for ordinary locations)

For raceway systems to provide pull outlets, 90° bends, splices, taps, mounting outlets, etc.

FORM 7 For neat, compact installation of rigid threaded conduit.

FORM 8 For heavier conductors using rigid threaded conduit.

Red•Dot® Aluminum Die-Cast For rigid threaded conduit installation — copper-free aluminum.

Red•Dot® Thinwall (EMT) For set-screw installation using thinwall conduit (EMT) — copper-free aluminum.

Mogul Conduit Fittings For larger conduits, spacious, accessible wiring chambers.

#### Cast Device Boxes (for ordinary locations)

For raceway systems to accommodate wiring devices, serve as pull boxes, and provide entrances for taps and splices.

FS/FD Single and Double Gang Cast Device Boxes

#### Cast Conduit Outlet Boxes (for hazardous locations)

Round cast outlet boxes used with rigid conduit to serve as pull and splice boxes, easy access to wiring, act as a housing for instruments, apparatus, etc.

GUA Conduit Outlet Bodies

#### Reducers, Plugs, Unions (for ordinary and hazardous locations)

Includes reducers for connecting conduit of dissimilar dimensions, plugs for unused conduit openings and hubs, and unions for threaded conduit systems.

RE, PLG REC Reducers, Plugs and Adapters, UNY/UNF Unions

#### Sealing Fittings and Drains (for ordinary and hazardous locations)

Cast fittings used with rigid conduit to seal sections from passage of vapors, flame or gases or explosions. Drains provide ventilation as a breather and as a drain in moist locations.

EYS/EYD Sealing Fittings & ECD Drains

#### Cable Fittings (for ordinary and hazardous locations)

For armored, metal clad, jacketed or unjacketed and unarmored cables through a bulkhead or enclosure in ordinary or hazardous areas.



## Form 7, Form 8, and Red•Dot® Conduit Outlet Bodies



### Conduit Outlet Bodies

#### Application

Conduit Bodies are installed in conduit systems to:

- Connect conduit sections
- Act as pull outlets when conductors are being installed
- Provide easy access for splices in branch conductors
- Make 90° bends in conduit runs
- Act as mounting outlets for wiring devices and lighting fixtures
- Provide access to conductors for maintenance and future system changes

#### Features

- Standard features include tapered (NPT) threads and integral bushings to protect wire insulation
- T&B Form 7 bodies and covers are interchangeable with other manufacturer's Form 7 bodies and covers
- T&B Form 8 bodies and covers are interchangeable with other manufacturer's Form 8 bodies and covers
- T&B Form 7 and Form 8 bodies feature BlueKote™ internal coating for easier wire pulling

#### Materials

Conduit Bodies (Form 7 and Form 8)	Sand cast class 30 gray iron alloy
Red•Dot® Conduit Bodies	Die-cast aluminum, copper-free
Covers	Sand cast gray iron alloy, and stamped sheet steel-stainless steel screws
Gaskets	Neoprene

#### Finish

Conduit Bodies	Zinc-plating with an aluminum acrylic coating;
Form 7 and Form 8 bodies	Internal Teflon®-based BlueKote™ coating*
Covers	Gray iron zinc-plating with an aluminum acrylic coating, and stamped steel zinc-plating with a clear chromate coating; Form 7 and Form 8 covers include integral neoprene gasket

#### Compliances

UL Standard: 514A, 514B  
 Fed. Spec: W-C-586D  
 CSA Standard: C22.2 No. 18  
 \*Teflon® is a registered trademark of DuPont.













# Form 7, Form 8 and Red•Dot® Conduit Outlet Bodies

## Threaded Rigid Bodies



T&B Fittings

SHAPE	HUB SIZE (IN.)										
	½	¾	1	1¼	1½	2	2½*	3*	3½*	4*	
 <b>LB</b>	Form 7 BlueKote™	LB17	LB27	LB37	LB47	LB57	LB67	LB77	LB87	LB97	LB107
	Form 8** BlueKote™	LB18	LB28	LB38	LB448	LB58	LB68	LB78	LB888	LB98	LB108
	Series 35	LB50M	LB75M-TB	LB100M	LB125M	LB150M	LB200M	LB250M	LB300M	LB350M	LB400M
	Threaded Aluminum	ALB1	ALB2	ALB3	ALB4	ALB5	ALB6	ALB7	ALB8	ALB9	ALB10
	EMT Aluminum	BLB1	BLB2	BLB3	BLB4	BLB5	BLB6	BLB7	BLB8	BLB9	BLB10
 <b>T</b>	Form 7 BlueKote™	T17	T27	T37	T47	T57	T67	T77	T87	T97	T107
	Form 8** BlueKote™	T18	T28	T38-TB	T448	T58	T68	T78	T88-TB	—	—
	Series 35	T50M	T75M	T100M	T125M	T150M	T200M	T250M	T300M	T350M	T400M
	Threaded Aluminum	AT1	AT2	AT3	AT4	AT5	AT6	AT7	AT8	AT9	AT10
	EMT Aluminum	BT1	BT2	BT3	BT4	BT5	BT6	—	—	—	—
 <b>C</b>	Form 7 BlueKote™	C17	C27	C37	C47	C57	C67	C77-TB	C87	—	—
	Form 8** BlueKote™	C18	C28	C38	C448	C58-TB	C68	C78	C88	—	—
	Series 35	C50M	C75M-TB	C100M	C125M	C150M	C200M	C250M-TB	C300M	C350M	C400M
	Threaded Aluminum	AC1	AC2	AC3	AC4	AC5	AC6	AC7	AC8	AC9	AC10
	EMT Aluminum	BC1	BC2	BC3	BC4	BC5	BC6	—	—	—	—
 <b>LL</b>	Form 7 BlueKote™	LL17	LL27	LL37	LL47	LL57	LL67	LL77	LL87	LL97	LL107
	Form 8** BlueKote™	LL18	LL28	LL38	LL448	LL58	LL68	LL78	LL888	—	—
	Series 35	LL50M	LL75M	LL100M	LL125M	LL150M	LL200M	LL250M	LL300M	LL350M	LL400M
	Threaded Aluminum	ALL1	ALL2	ALL3	ALL4	ALL5	ALL6	ALL7	ALL8	ALL9	ALL10
	EMT Aluminum	BLL1	BLL2	BLL3	BLL4	—	—	—	—	—	—
 <b>LR</b>	Form 7 BlueKote™	LR17	LR27	LR37	LR47	LR57	LR67	LR77	LR87	LR97	LR107
	Form 8** BlueKote™	LR18	LR28	LR38	LR448	LR58	LR68	LR78	LR888	—	—
	Series 35	LR50M	LR75M	LR100M	LR125M	LR150M	LR200M	LR250M	LR300M	LR350M-TB	LR400M
	Threaded Aluminum	ALR1	ALR2	ALR3	ALR4	ALR5	ALR6	ALR7	ALR8	ALR9	ALR10
	EMT Aluminum	BLR1	BLR2	BLR3	BLR4	—	—	—	—	—	—
 <b>X</b>	Form 7 BlueKote™	X17	X27	X37	X47	X57	X67	—	—	—	—
	Form 8** BlueKote™	X18	X28	X38	X448	X58	X68	—	—	—	—
	Series 35	X50M	X75M	X100M	X125M	X150M	X200M	—	—	—	—
	Threaded Aluminum	—	—	—	—	—	—	—	—	—	—
 <b>*L</b>	Form 7 BlueKote™	L17-TB	L27-TB	L37-TB	L47-TB	L57-TB	L67-TB	—	—	—	—
	Threaded Aluminum	ALRL1	ALRL2	ALRL3	ALRL4	ALRL5	ALRL6	—	—	—	—
	EMT Aluminum	BLRL1	BLRL2	BLRL3	BLRL4	BLRL5	BLRL6	—	—	—	—
 <b>E</b>	Form 7 BlueKote™	E17	E27	E27	—	—	—	—	—	—	—
	Threaded Aluminum	AE1	AE2	AE3	—	—	—	—	—	—	—
 <b>TA</b>	Form 7 BlueKote™	TA17	TA27	TA37	TA47	TA57	TA67	—	—	—	—
	Threaded Aluminum	—	—	—	—	—	—	—	—	—	—
 <b>TB</b>	Form 7 BlueKote™	TB17-TB	TB27	TB37	TB47	TB57	TB67	—	—	—	—
	Form 8 BlueKote™	TB18	TB28	TB38	TB44 8	TB58	TB68	—	—	—	—
	Series 35	TB50M	TB75M	TB100M	TB125M	TB150M	TB200M	—	—	—	—




\*Aluminum conduit bodies (A and B series) furnished with one stamped steel cover

\*\*½" through 1¼" have (2) mounting holes  
1½" through 4" have (4) mounting holes

# Form 7, Form 8, and Red•Dot® Conduit Outlet Bodies



## Covers and Gaskets

SHAPE	HUB SIZE (IN.)									
	½	¾	1	1¼	1½	2	2½	3	3½	4
 <p>Form 7* Form 8* Red•Dot® Series 35</p>	170S	270S	370S	470S	570S	670S	870S	870S	970S	970S
	180	280	380	480	580	680	880	880	980	980
	SCV1	SCV2	SCV3	SCV4	SCV4	SCV5	CV6	CV6	CV7	CV7
	GK50N	GK75N	GK100N	GK125-150N	GK125-150N	GK200N	GK250-300N	GK250-300N	GK350-400N	GK350-400N
	* Form 7 and Form 8 covers include integral gasket.									
 <p>Form 7* Form 8* Series 35</p>	170F	270F	370F	470F	570F	670F	870F	870F	970F	970F
	180F	280F	380F	480F	580F	680F	880F	880F	980F	980F
	K50M	K75M	K100M	K125M	K125M	K200M	K250M	K250M	K350M	K350M
	* Form 7 and Form 8 covers include integral gasket.									
	 <p>Form 7* Form 8* Red•Dot® Series 35</p>	GASK 571	GASK 572	GASK 573	GASK 574	GASK 575	GASK 576	GASK 578	GASK 578	GASK 579
GASK 581N		GASK 582N	GASK 583N	GASK 584N	GASK 585N	GASK 586N	GASK 588N	GASK 588N	GASK 589N	GASK 589N
GKN1		GKN2	GKN3	GKN4	GKN4	GKN5	GKN6	GKN6	GKN7	GKN7
K50S		K75S	K100S	K125S	—	K200S	K250S	—	K350S	—
* For ordering purposes, please use GASK in the catalog number (Example: GASK 571).										

T&B Fittings



## Form 7, Form 8, and Red•Dot® Conduit Outlet Bodies

Form 7 Body, Gasket and Cover — One Number!

**NEW!**

### Pre-Assembled Form 7 BlueKote™ Conduit Bodies, Gaskets and Covers

T&B Fittings



Now you can order a conduit body, gasket and cover, pre-assembled, using one catalog number. T&B's pre-assembled cast conduit bodies help reduce transactions, eliminate the need for additional stocking bins and provide an easy inventory reduction. You'll also have less hassle with managing small parts in the truck or crib. Best of all, you can be absolutely confident that the right parts are in your hands when you need them.

#### T&B® Conduit Bodies and Covers Feature:

- BlueKote™ internal finish for faster, easier wire pulling
- Epoxy external finish for superior corrosion resistance
- Tapered NPT threads and integral bushings to protect wire insulation
- Bodies are designed with a flat back for more cubic inch capacity. The flat back also keeps the body more stable during installation, requiring fewer conduit straps
- T&B Form 7 bodies and covers are interchangeable with Crouse-Hinds and Appleton's Form 7 bodies and covers

#### Specifications

- Bodies: Class 30 gray iron alloy
- Covers: Stamped steel with stainless steel screws
- Gaskets: Neoprene
- Finish: Conduit Bodies: Zinc-plating with acrylic epoxy coating and internal Teflon®-based BlueKote™ coating
- Covers: Stamped steel zinc-plating with a clear chromate coating
- Compliances: UL Standard: 514A, 514B Fed. Spec:W-C-586D
- CSA Standard: C22.2 No. 18

Crouse-Hinds is a trademark of Cooper Industries, Inc. Appleton is a trademark of the EGS Electrical Group, a joint venture of Emerson and SPX Corp. Teflon® is a registered trademark of DuPont.

### T&B® Pre-Assembled Bodies, Gaskets and Covers



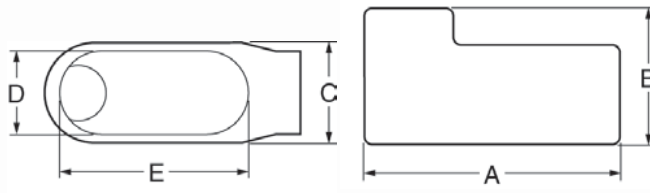
CAT. NO.	TRADE SIZE	PRE-ASSEMBLED PRODUCTS
C17CG-TB	½"	C17 Body, Cover & Gasket
C27CG-TB	¾"	C27 Body, Cover & Gasket
C37CG-TB	1"	C37 Body, Cover & Gasket
C47CG-TB	1¼"	C47 Body, Cover & Gasket
C57CG-TB	1½"	C57 Body, Cover & Gasket
C67CG-TB	2"	C67 Body, Cover & Gasket
LB17CG-TB	½"	LB17 Body, Cover & Gasket
LB27CG-TB	¾"	LB27 Body, Cover & Gasket
LB37CG-TB	1"	LB37 Body, Cover & Gasket
LB47CG-TB	1¼"	LB47 Body, Cover & Gasket
LB57CG-TB	1½"	LB57 Body, Cover & Gasket
LB67CG-TB	2"	LB67 Body, Cover & Gasket
LL17CG-TB	½"	LL17 Body, Cover & Gasket
LL27CG-TB	¾"	LL27 Body, Cover & Gasket
LL37CG-TB	1"	LL37 Body, Cover & Gasket
LL47CG-TB	1¼"	LL47 Body, Cover & Gasket
LL57CG-TB	1½"	LL57 Body, Cover & Gasket
LL67CG-TB	2"	LL67 Body, Cover & Gasket
LR17CG-TB	½"	LR17 Body, Cover & Gasket
LR27CG-TB	¾"	LR27 Body, Cover & Gasket
LR37CG-TB	1"	LR37 Body, Cover & Gasket
LR47CG-TB	1¼"	LR47 Body, Cover & Gasket
LR57CG-TB	1½"	LR57 Body, Cover & Gasket
LR67CG-TB	2"	LR67 Body, Cover & Gasket
T17CG-TB	½"	T17 Body, Cover & Gasket
T27CG-TB	¾"	T27 Body, Cover & Gasket
T37CG-TB	1"	T37 Body, Cover & Gasket
T47CG-TB	1¼"	T47 Body, Cover & Gasket
T57CG-TB	1½"	T57 Body, Cover & Gasket
T67CG-TB	2"	T67 Body, Cover & Gasket
TB17CG-TB	½"	TB17 Body, Cover & Gasket
TB27CG-TB	¾"	TB27 Body, Cover & Gasket
TB37CG-TB	1"	TB37 Body, Cover & Gasket
TB47CG-TB	1¼"	TB47 Body, Cover & Gasket
TB57CG-TB	1½"	TB57 Body, Cover & Gasket
TB67CG-TB	2"	TB67 Body, Cover & Gasket
X17CG-TB	½"	X17 Body, Cover & Gasket
X27CG-TB	¾"	X27 Body, Cover & Gasket
X37CG-TB	1"	X37 Body, Cover & Gasket
X47CG-TB	1¼"	X47 Body, Cover & Gasket
X57CG-TB	1½"	X57 Body, Cover & Gasket
X67CG-TB	2"	X67 Body, Cover & Gasket

For aluminum conduit bodies pre-assembled with covers and gaskets, request Red•Dot® D-PAK™ Series Conduit Bodies for rigid and IMC conduit.

## Form 7, Form 8 and Red•Dot® Conduit Outlet Bodies



BlueKote™ internal finish reduces the amount of force necessary to pull wires through T&B Form 7 and Form 8 conduit bodies.



LB Form 7 and Form 8

### LB Form 7 BlueKote™

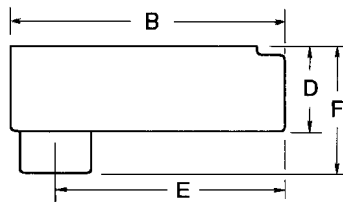
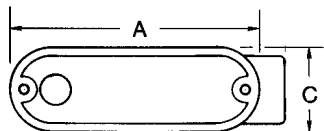
CAT. NO.	SIZE	DIMENSIONS (IN.)					
		A	B	C	D	E	CI
LB17	½"	4.60	2.20	1.35	.95	3.20	4.0
LB27	¾"	5.25	2.40	1.65	1.15	3.80	6.6
LB37	1"	6.00	2.65	1.80	1.35	4.55	10.6
LB47	1¼"	6.45	3.20	2.20	1.80	5.00	18.8
LB57	1½"	7.25	3.90	2.45	2.05	5.45	26.4
LB67	2"	8.30	4.45	3.10	2.45	6.40	51.0
LB77	2½"	10.55	5.20	4.25	3.60	8.40	102.0
LB87	3"	10.55	5.95	4.25	3.60	8.40	132.0
LB97	3½"	12.85	6.70	5.25	4.55	10.25	210.0
LB107	4"	12.85	7.20	5.25	4.55	10.25	243.0

### LB Form 8 BlueKote™



CAT. NO.	SIZE	DIMENSIONS (IN.)					
		A	B	C	D	E	CI
LB18	½"	4 <sup>15</sup> / <sub>16</sub>	2.219	1 <sup>1</sup> / <sub>16</sub>	1	3 <sup>3</sup> / <sub>16</sub>	4.9
LB28	¾"	5 <sup>5</sup> / <sub>16</sub>	2.438	1 <sup>1</sup> / <sub>16</sub>	1 <sup>1</sup> / <sub>16</sub>	3 <sup>3</sup> / <sub>16</sub>	8.0
LB38	1"	6 <sup>1</sup> / <sub>2</sub>	2.813	1 <sup>1</sup> / <sub>4</sub>	1 <sup>1</sup> / <sub>4</sub>	4 <sup>1</sup> / <sub>16</sub>	13.0
LB448	1¼"	7 <sup>17</sup> / <sub>32</sub>	3 <sup>11</sup> / <sub>32</sub>	2 <sup>3</sup> / <sub>16</sub>	1 <sup>3</sup> / <sub>4</sub>	5 <sup>5</sup> / <sub>16</sub>	23.5
LB58	1½"	9 <sup>1</sup> / <sub>2</sub>	4 <sup>1</sup> / <sub>2</sub>	2 <sup>3</sup> / <sub>4</sub>	2 <sup>3</sup> / <sub>8</sub>	6 <sup>1</sup> / <sub>2</sub>	45.0
LB68	2"	11	4 <sup>1</sup> / <sub>2</sub>	3 <sup>3</sup> / <sub>4</sub>	3	8 <sup>1</sup> / <sub>16</sub>	88.0
LB78	2½"	13 <sup>15</sup> / <sub>16</sub>	6 <sup>1</sup> / <sub>2</sub>	5	4 <sup>1</sup> / <sub>4</sub>	10 <sup>1</sup> / <sub>16</sub>	110.0
LB888	3"	13 <sup>15</sup> / <sub>16</sub>	6 <sup>1</sup> / <sub>2</sub>	5	4 <sup>1</sup> / <sub>4</sub>	10 <sup>1</sup> / <sub>16</sub>	110.0
LB98	3½"	16 <sup>1</sup> / <sub>2</sub>	7 <sup>7</sup> / <sub>16</sub>	6 <sup>1</sup> / <sub>4</sub>	5 <sup>5</sup> / <sub>16</sub>	13 <sup>1</sup> / <sub>16</sub>	250.0
LB108	4"	16 <sup>1</sup> / <sub>2</sub>	7 <sup>7</sup> / <sub>16</sub>	6 <sup>1</sup> / <sub>4</sub>	5 <sup>5</sup> / <sub>16</sub>	13 <sup>1</sup> / <sub>16</sub>	250.0

### LB Threaded Aluminum



LB Threaded Aluminum and EMT Aluminum

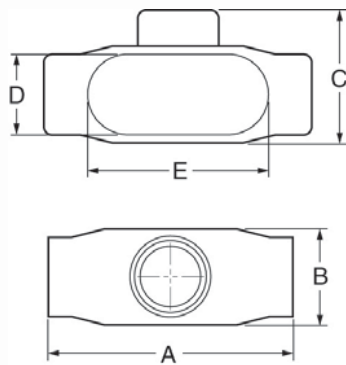
CAT. NO.	SIZE	DIMENSIONS (IN.)						
		A	B	C	D	E	F	CI
ALB1	½"	3 <sup>3</sup> / <sub>8</sub>	4 <sup>1</sup> / <sub>2</sub>	1 <sup>1</sup> / <sub>16</sub>	1 <sup>1</sup> / <sub>16</sub>	3 <sup>1</sup> / <sub>2</sub>	2 <sup>1</sup> / <sub>16</sub>	4.3
ALB2	¾"	4 <sup>1</sup> / <sub>2</sub>	5 <sup>1</sup> / <sub>2</sub>	1 <sup>1</sup> / <sub>32</sub>	1 <sup>1</sup> / <sub>2</sub>	4 <sup>1</sup> / <sub>4</sub>	2 <sup>1</sup> / <sub>16</sub>	7.3
ALB3	1"	5 <sup>1</sup> / <sub>2</sub>	5 <sup>9</sup> / <sub>16</sub>	1 <sup>3</sup> / <sub>4</sub>	1 <sup>7</sup> / <sub>4</sub>	4 <sup>1</sup> / <sub>16</sub>	2 <sup>1</sup> / <sub>4</sub>	11.8
ALB4	1¼"	7 <sup>1</sup> / <sub>4</sub>	7 <sup>1</sup> / <sub>2</sub>	2 <sup>1</sup> / <sub>2</sub>	2 <sup>1</sup> / <sub>2</sub>	6 <sup>1</sup> / <sub>2</sub>	3 <sup>3</sup> / <sub>16</sub>	32.0
ALB5	1½"	7 <sup>1</sup> / <sub>4</sub>	7 <sup>1</sup> / <sub>2</sub>	2 <sup>1</sup> / <sub>2</sub>	2 <sup>3</sup> / <sub>4</sub>	6 <sup>1</sup> / <sub>16</sub>	3 <sup>3</sup> / <sub>16</sub>	32.0
ALB6	2"	9 <sup>1</sup> / <sub>2</sub>	9 <sup>3</sup> / <sub>16</sub>	3 <sup>3</sup> / <sub>8</sub>	3 <sup>3</sup> / <sub>16</sub>	8	4 <sup>1</sup> / <sub>2</sub>	69.5
ALB7	2½"	12 <sup>1</sup> / <sub>4</sub>	13	4 <sup>1</sup> / <sub>2</sub>	3 <sup>3</sup> / <sub>8</sub>	10 <sup>1</sup> / <sub>2</sub>	5 <sup>1</sup> / <sub>4</sub>	190.0
ALB8	3"	12 <sup>1</sup> / <sub>4</sub>	13	4 <sup>1</sup> / <sub>2</sub>	4 <sup>1</sup> / <sub>2</sub>	10 <sup>1</sup> / <sub>2</sub>	5 <sup>1</sup> / <sub>2</sub>	190.0
ALB9	3½"	15	16 <sup>1</sup> / <sub>16</sub>	5 <sup>1</sup> / <sub>2</sub>	5 <sup>1</sup> / <sub>16</sub>	13 <sup>1</sup> / <sub>2</sub>	6 <sup>1</sup> / <sub>16</sub>	366.0
ALB10	4"	15	16 <sup>1</sup> / <sub>16</sub>	5 <sup>1</sup> / <sub>2</sub>	5 <sup>1</sup> / <sub>16</sub>	13 <sup>1</sup> / <sub>2</sub>	6 <sup>1</sup> / <sub>16</sub>	366.0

### LB EMT Aluminum

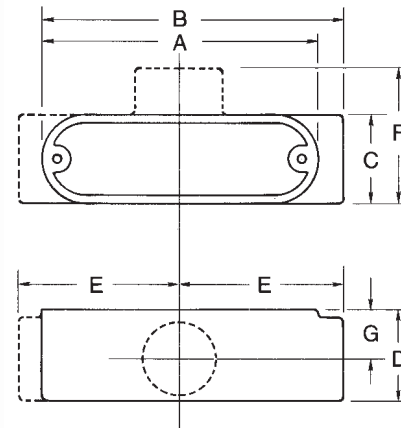
CAT. NO.	SIZE	DIMENSIONS (IN.)						
		A	B	C	D	E	F	CI
BLB1	½"	3 <sup>3</sup> / <sub>8</sub>	4s	1 <sup>1</sup> / <sub>16</sub>	1 <sup>1</sup> / <sub>16</sub>	3 <sup>1</sup> / <sub>2</sub>	2 <sup>1</sup> / <sub>16</sub>	4.3
BLB2	¾"	4 <sup>1</sup> / <sub>2</sub>	5 <sup>1</sup> / <sub>2</sub>	1w	1 <sup>1</sup> / <sub>2</sub>	4 <sup>1</sup> / <sub>4</sub>	2 <sup>1</sup> / <sub>16</sub>	7.3
BLB3	1"	5 <sup>1</sup> / <sub>2</sub>	5 <sup>9</sup> / <sub>16</sub>	1 <sup>3</sup> / <sub>4</sub>	1 <sup>7</sup> / <sub>4</sub>	4 <sup>1</sup> / <sub>16</sub>	2 <sup>1</sup> / <sub>4</sub>	11.8
BLB4	1¼"	7 <sup>1</sup> / <sub>4</sub>	7 <sup>1</sup> / <sub>2</sub>	2 <sup>1</sup> / <sub>2</sub>	2 <sup>1</sup> / <sub>2</sub>	6 <sup>1</sup> / <sub>2</sub>	3 <sup>3</sup> / <sub>16</sub>	32.0
BLB5	1½"	7 <sup>1</sup> / <sub>4</sub>	7 <sup>1</sup> / <sub>2</sub>	2 <sup>1</sup> / <sub>2</sub>	2 <sup>3</sup> / <sub>4</sub>	6 <sup>1</sup> / <sub>16</sub>	3 <sup>3</sup> / <sub>16</sub>	32.0
BLB6	2"	9 <sup>1</sup> / <sub>2</sub>	9 <sup>3</sup> / <sub>16</sub>	3 <sup>3</sup> / <sub>8</sub>	3 <sup>3</sup> / <sub>16</sub>	8	4 <sup>1</sup> / <sub>2</sub>	69.5
BLB7	2½"	12 <sup>1</sup> / <sub>4</sub>	13	4 <sup>1</sup> / <sub>2</sub>	3 <sup>3</sup> / <sub>8</sub>	10 <sup>1</sup> / <sub>2</sub>	5 <sup>1</sup> / <sub>4</sub>	190.0
BLB8	3"	12 <sup>1</sup> / <sub>4</sub>	13	4 <sup>1</sup> / <sub>2</sub>	4 <sup>1</sup> / <sub>2</sub>	10 <sup>1</sup> / <sub>2</sub>	5 <sup>1</sup> / <sub>2</sub>	190.0
BLB9	3½"	15	16 <sup>1</sup> / <sub>16</sub>	5 <sup>1</sup> / <sub>2</sub>	5 <sup>1</sup> / <sub>16</sub>	13 <sup>1</sup> / <sub>2</sub>	6 <sup>1</sup> / <sub>16</sub>	366.0
BLB10	4"	15	16 <sup>1</sup> / <sub>16</sub>	5 <sup>1</sup> / <sub>2</sub>	5 <sup>1</sup> / <sub>16</sub>	13 <sup>1</sup> / <sub>2</sub>	6 <sup>1</sup> / <sub>16</sub>	366.0

# Form 7, Form 8, and Red•Dot® Conduit Outlet Bodies

T&B Fittings



T Form 7 and Form 8



T Threaded Aluminum  
and EMT Aluminum

## T Form 7 BlueKote™



CAT. NO.	SIZE (IN.)	DIMENSIONS (IN.)					
		A	B	C	D	E	CI
T17	½	5.60	1.80	2.35	.95	3.20	6.0
T27	¾	6.20	2.00	2.60	1.15	3.80	9.1
T37	1	7.35	2.30	3.10	1.35	4.55	16.9
T47	1¼	7.30	2.30	3.05	1.80	5.00	19.3
T57	1½	8.60	2.60	3.80	2.05	5.45	27.5
T67	2	9.50	3.20	4.25	2.45	6.40	50.0
T77	2½	12.10	3.65	5.80	3.60	8.40	102.0
T87	3	12.10	4.40	5.80	3.60	8.40	132.0
T97	3½	14.65	4.90	7.05	4.55	10.25	210.0
T107	4	14.65	5.40	7.05	4.55	10.25	243.0

## T Threaded Aluminum

CAT. NO.	SIZE (IN.)	DIMENSIONS (IN.)								
		A	B	C	D	E	F	G	CI	
AT1	½	3¾	4¾	1¼	1¾	2¼	2¼	1¼	4.3	
AT2	¾	4¾	5¾	1½	1¾	2½	2½	1¼	7.3	
AT3	1	5¾	5¾	1¾	1¾	3¼	2¾	1	11.8	
AT4	1¼	7¼	7¾	2½	2½	4¼	3¾	1¾	32.0	
AT5	1½	7¼	7¾	2½	2¾	4¼	3¾	1¾	32.0	
AT6	2	9½	10¼	3¾	3¾	5½	4	10	69.5	
AT7	2½	12¼	13	4½	4½	6¾	5½	2¼	190.0	
AT8	3	12¼	13	4½	4½	6¾	5½	2¼	190.0	
AT9	3½	15	16¼	5½	5½	8¾	6¾	3	366.0	
AT10	4	15	16¼	5½	5½	8¾	6¾	3	366.0	

## T Form 8 BlueKote™

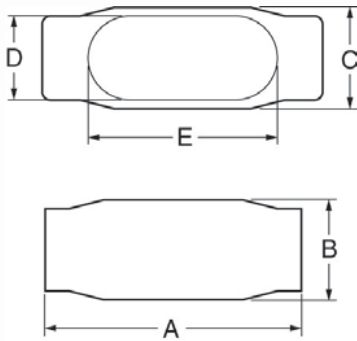


CAT. NO.	SIZE (IN.)	DIMENSIONS (IN.)					
		A	B	C	D	E	CI
T18	½	5¼	1¾	2¼	1	3¼	6.0
T28	¾	6¼	2	2¼	1¾	3¼	9.0
T38-TB	1	7¼	2¼	2¾	1¾	4¼	15.0
T448	1¼	8½	2¾	3¼	1¾	5¼	24.0
T58	1½	10¾	2¾	4	2¾	6¼	46.5
T68	2	12¼	3¾	5	3	8¼	88.0
T78	2½	15¾	4¾	6¼	4¾	10¾	110.0
T88-TB	3	15¾	4¾	6¼	4¾	10¾	110.0

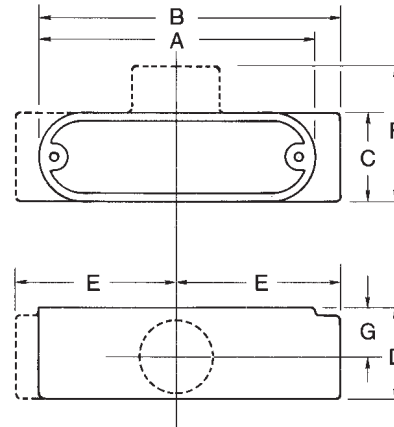
## T EMT Aluminum

CAT. NO.	SIZE (IN.)	DIMENSIONS (IN.)								
		A	B	C	D	E	F	G	CI	
BT1	½	3¾	4¾	1¼	1¾	2¼	2¼	1¼	4.3	
BT2	¾	4¾	5¾	1½	1¾	2½	2½	1¼	7.3	
BT3	1	5¾	5¾	1¾	1¾	3¼	2¾	1	11.8	
BT4	1¼	7¼	7¾	2½	2½	4¼	3¾	1¾	32.0	
BT5	1½	7¼	7¾	2½	2¾	4¼	3¾	1¾	32.0	
BT6	2	9½	10¼	3¾	3¾	5½	4	10	69.5	

# Form 7, Form 8, and Red•Dot® Conduit Outlet Bodies



C Form 7 and Form 8



T Threaded Aluminum  
and EMT Aluminum

T&B Fittings

## C Form 7 BlueKote™



CAT. NO.	SIZE (IN.)	DIMENSIONS (IN.)					CI
		A	B	C	D	E	
C17	½	5.45	1.40	1.45	.95	3.20	4.0
C27	¾	6.05	1.60	1.65	1.15	3.80	6.6
C37	1	6.75	1.90	1.80	1.35	4.55	10.6
C47	1¼	7.30	2.30	2.20	1.80	5.00	18.8
C57	1½	8.60	2.60	2.45	2.05	5.45	26.4
C67	2	9.50	3.20	3.05	2.45	6.40	51.0
C77-TB	2½	12.10	3.65	4.25	3.60	8.40	102.0
C87	3	12.10	4.40	4.25	3.60	8.40	132.0

## C Threaded Aluminum

CAT. NO.	SIZE (IN.)	DIMENSIONS (IN.)							CI
		A	B	C	D	E	F	G	
AC1	½	3½	4¾	1 <sup>21</sup> / <sub>64</sub>	1¾	2 <sup>13</sup> / <sub>32</sub>	2 <sup>1</sup> / <sub>16</sub>	<sup>13</sup> / <sub>16</sub>	4.3
AC2	¾	4¾	5¾	1 <sup>17</sup> / <sub>32</sub>	1¾	2 <sup>25</sup> / <sub>32</sub>	2 <sup>19</sup> / <sub>32</sub>	<sup>15</sup> / <sub>16</sub>	7.3
AC3	1	5¾	5 <sup>5</sup> / <sub>16</sub>	1¾	1¾	3¼	2¾	1	11.8
AC4	1¼	7¼	7¾	2½	2½	4 <sup>1</sup> / <sub>16</sub>	3 <sup>17</sup> / <sub>32</sub>	1¾	32.0
AC5	1½	7¼	7¾	2½	2¾	4 <sup>1</sup> / <sub>16</sub>	3 <sup>17</sup> / <sub>32</sub>	1½	32.0
AC6	2	9¾	10 <sup>1</sup> / <sub>16</sub>	3¾	3 <sup>3</sup> / <sub>16</sub>	5 <sup>1</sup> / <sub>2</sub>	4	10	69.5
AC7	2½	12¼	13	4½	4½	6¾	5 <sup>5</sup> / <sub>32</sub>	2 <sup>1</sup> / <sub>16</sub>	190.0
AC8	3	12¼	13	4½	4½	6¾	5 <sup>5</sup> / <sub>32</sub>	2 <sup>1</sup> / <sub>16</sub>	190.0
AC9	3½	15	16 <sup>1</sup> / <sub>16</sub>	5½	5 <sup>5</sup> / <sub>16</sub>	8 <sup>1</sup> / <sub>16</sub>	6 <sup>1</sup> / <sub>16</sub>	3	366.0
AC10	4	15	16 <sup>1</sup> / <sub>16</sub>	5½	5 <sup>5</sup> / <sub>16</sub>	8 <sup>1</sup> / <sub>16</sub>	6 <sup>1</sup> / <sub>16</sub>	3	366.0

## C Form 8 BlueKote™



CAT. NO.	SIZE (IN.)	DIMENSIONS (IN.)					CI
		A	B	C	D	E	
C18	½	5 <sup>17</sup> / <sub>32</sub>	1 <sup>1</sup> / <sub>16</sub>	1¾	1	3 <sup>3</sup> / <sub>16</sub>	4.9
C28	¾	6 <sup>3</sup> / <sub>32</sub>	1 <sup>17</sup> / <sub>32</sub>	1¾	1 <sup>1</sup> / <sub>16</sub>	3 <sup>1</sup> / <sub>16</sub>	8.0
C38	1	7 <sup>7</sup> / <sub>16</sub>	1 <sup>5</sup> / <sub>16</sub>	1¾	1¾	4 <sup>9</sup> / <sub>16</sub>	13.0
C448	1¼	8½	2¾	2 <sup>3</sup> / <sub>16</sub>	1¾	5 <sup>5</sup> / <sub>16</sub>	23.5
C58-TB	1½	10¾	2 <sup>25</sup> / <sub>32</sub>	2¾	2¾	6½	45.0
C68	2	12¼	3 <sup>3</sup> / <sub>16</sub>	3¾	3	8 <sup>9</sup> / <sub>16</sub>	88.0
C78	2½	15¾	4 <sup>1</sup> / <sub>16</sub>	5	4¾	10¾	110.0
C88	3	15¾	4 <sup>1</sup> / <sub>16</sub>	5	4¾	10¾	110.0

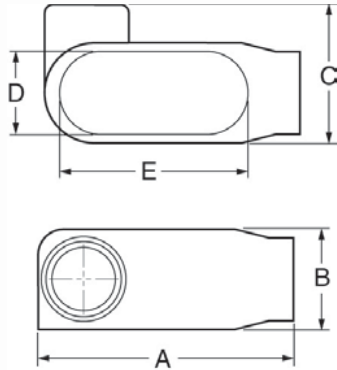
## C EMT Aluminum

CAT. NO.	SIZE (IN.)	DIMENSIONS (IN.)							CI
		A	B	C	D	E	F	G	
BC1	½	3¾	4¾	1 <sup>21</sup> / <sub>64</sub>	1¾	2 <sup>13</sup> / <sub>32</sub>	2 <sup>1</sup> / <sub>16</sub>	<sup>13</sup> / <sub>16</sub>	4.3
BC2	¾	4¾	5¾	1 <sup>17</sup> / <sub>32</sub>	1¾	2 <sup>25</sup> / <sub>32</sub>	2 <sup>19</sup> / <sub>32</sub>	<sup>15</sup> / <sub>16</sub>	7.3
BC3	1	5¾	5 <sup>5</sup> / <sub>16</sub>	1¾	1¾	3¼	2¾	1	11.8
BC4	1¼	7¼	7¾	2½	2½	4 <sup>1</sup> / <sub>16</sub>	3 <sup>17</sup> / <sub>32</sub>	1¾	32.0
BC5	1½	7¼	7¾	2½	2¾	4 <sup>1</sup> / <sub>16</sub>	3 <sup>17</sup> / <sub>32</sub>	1½	32.0
BC6	2	9¾	10 <sup>1</sup> / <sub>16</sub>	3¾	3 <sup>3</sup> / <sub>16</sub>	5 <sup>1</sup> / <sub>2</sub>	4	10	69.5

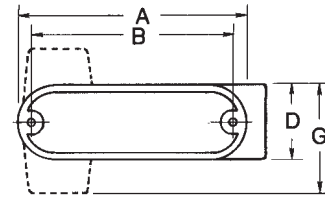


# Form 7, Form 8 and Red•Dot® Conduit Outlet Bodies

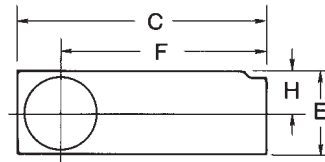
T&B Fittings



LL Form 7 and Form 8



LL Threaded Aluminum and EMT Aluminum



## LL Form 7 BlueKote™



CAT. NO.	SIZE (IN.)	DIMENSIONS (IN.)					
		A	B	C	D	E	CI
LL17	½	4.60	1.40	1.45	.95	3.20	4.0
LL27	¾	5.25	1.60	1.65	1.15	3.80	6.6
LL37	1	6.00	1.90	2.60	1.35	4.55	10.6
LL47	1¼	6.45	2.30	3.05	1.80	5.00	18.6
LL57	1½	7.90	2.60	3.80	2.05	5.45	26.4
LL67	2	8.30	3.20	4.25	2.45	6.40	51.0
LL77	2½	10.55	3.65	5.80	3.60	8.40	102.0
LL87	3	10.55	4.40	5.80	3.60	8.40	132.0
LL97	3½	12.85	4.90	7.03	4.55	10.25	210.0
LL107	4	12.85	5.40	7.03	4.55	10.25	243.0

## LL Threaded Aluminum

CAT. NO.	SIZE (IN.)	DIMENSIONS (IN.)									
		A	B	C	D	E	F	G	H	CI	CI*
ALL1	½	3¾	3½	4⅞	1⅞	1¾	3⅞	2	⅝	4.3	4.8
ALL2	¾	4¾	4¾	5½	1⅞	1¾	4¾	2⅞	⅞	7.3	7.5
ALL3	1	5¾	4¾	5⅞	1¾	1¾	4¾	2¾	1	11.8	12.5
ALL4	1¼	7¼	6¾	7¾	2½	2¼	6¾	3¾	1½	32.0	36.5
ALL5	1½	7¼	6¾	7¾	2½	2¼	6¾	3¾	1½	32.0	36.5
ALL6	2	9½	8⅞	10⅞	3¾	3⅞	8¾	3⅞	1⅞	69.5	73.8
ALL7	2½	12¼	11¼	13	4½	4½	10¼	5½	2½	190.0	
ALL8	3	12¼	11¼	13	4½	4½	10¼	5½	2½	190.0	
ALL9	3½	15	14⅞	16¼	5½	5½	12¼	6½	3	366.0	
ALL10	4	15	14⅞	16¼	5½	5½	12¼	6½	3	366.0	

\*LRL Style Only

## LL Form 8 BlueKote™



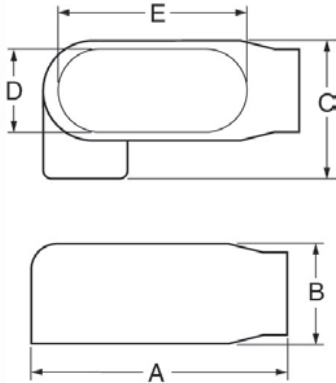
CAT. NO.	SIZE (IN.)	DIMENSIONS (IN.)					
		A	B	C	D	E	CI
LL18	½	4⅞	1⅞	2⅞	1	3⅞	4.9
LL28	¾	5⅞	1⅞	2⅞	1⅞	3⅞	8.0
LL38	1	6⅞	1⅞	2¾	1¾	4⅞	13.0
LL448	1¼	7⅞	2¾	3⅞	1¾	5⅞	23.5
LL58	1½	9¾	2⅞	4	2¾	6¾	45.0
LL68	2	11	3⅞	5	3	8⅞	88.0
LL78	2½	13⅞	4⅞	6⅞	4¼	10¾	110.0
LL888	3	13⅞	4⅞	6⅞	4¼	10¾	110.0

## LL EMT Aluminum

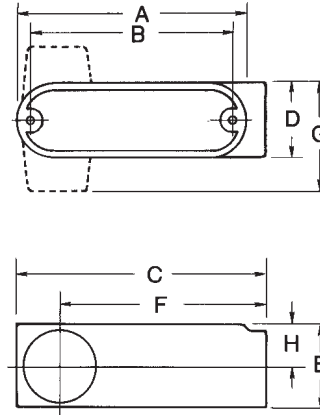
CAT. NO.	SIZE (IN.)	DIMENSIONS (IN.)									
		A	B	C	D	E	F	G	H	CI	CI*
BLL1	½	3¾	3½	4⅞	1⅞	1¾	3⅞	2	⅝	4.3	4.8
BLL2	¾	4¾	4¾	5½	1⅞	1¾	4¾	2⅞	⅞	7.3	7.5
BLL3	1	5¾	4¾	5⅞	1¾	1¾	4¾	2¾	1	11.8	12.5
BLL4	1¼	7¼	6¾	7¾	2½	2¼	6¾	3¾	1½	32.0	36.5

\*LRL Style Only

# Form 7, Form 8 and Red•Dot® Conduit Outlet Bodies



LR Form 7 and Form 8



LR Threaded Aluminum  
and EMT Aluminum

T&B Fittings

## LR Form 7 BlueKote™



CAT. NO.	SIZE (IN.)	DIMENSIONS (IN.)					
		A	B	C	D	E	CI
LR17	½	4.60	1.40	1.45	.95	3.20	4.0
LR27	¾	5.25	1.60	1.65	1.15	3.80	6.6
LR37	1	6.00	1.90	2.60	1.35	4.55	10.6
LR47	1¼	6.45	2.30	3.05	1.80	5.00	18.8
LR57	1½	7.90	2.60	3.80	2.05	5.45	26.4
LR67	2	8.30	3.20	4.25	2.45	6.40	51.0
LR77	2½	10.55	3.65	5.80	3.60	8.40	102.0
LR87	3	10.55	4.40	5.80	3.60	8.40	132.0
LR97	3½	12.85	4.90	7.03	4.55	10.25	210.0
LR107	4	12.85	5.40	7.03	4.55	10.25	243.0

## LR Threaded Aluminum

CAT. NO.	SIZE (IN.)	DIMENSIONS (IN.)									
		A	B	C	D	E	F	G	H	CI	CI*
ALR1	½	3½	3½	4⅞	1⅞	1⅞	3⅞	2	⅝	4.3	4.8
ALR2	¾	4½	4½	5½	1⅞	1⅞	4½	2⅞	⅞	7.3	7.5
ALR3	1	5½	4½	5⅞	1¾	1¾	4½	2½	1	11.8	12.5
ALR4	1¼	7½	6½	7½	2½	2½	6⅞	3½	1½	32.0	36.5
ALR5	1½	7½	6½	7½	2½	2½	6⅞	3½	1½	32.0	36.5
ALR6	2	9½	8½	10⅞	3½	3½	8½	3⅞	1⅞	69.5	73.8
ALR7	2½	12¼	11¼	13	4½	4½	10¼	5½	2½	190.0	
ALR8	3	12¼	11¼	13	4½	4½	10¼	5½	2½	190.0	
ALR9	3½	15	14⅞	16¼	5½	5½	12¼	6½	3	366.0	
ALR10	4	15	14⅞	16¼	5½	5½	12¼	6½	3	366.0	

\*LRL Style Only

## LR Form 8 BlueKote™



CAT. NO.	SIZE (IN.)	DIMENSIONS (IN.)					
		A	B	C	D	E	CI
LR18	½	4⅞	1⅞	2½	1	3⅞	4.4
LR28	¾	5⅞	1⅞	2⅞	1⅞	3⅞	8.0
LR38	1	6⅞	1⅞	2½	1¾	4⅞	13.0
LR448	1¼	7⅞	2½	3⅞	1¾	5⅞	23.6
LR58	1½	9½	2⅞	4	2½	6½	45.0
LR68	2	11	3½	5	3	8½	88.0
LR78	2½	13⅞	4⅞	6⅞	4¼	10½	110.0
LR888	3	13⅞	4⅞	6⅞	4¼	10½	110.0

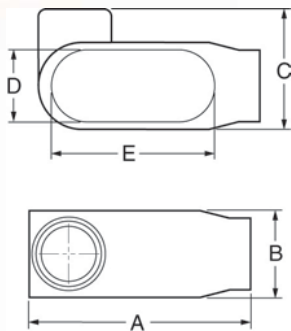
## LR EMT Aluminum

CAT. NO.	SIZE (IN.)	DIMENSIONS (IN.)									
		A	B	C	D	E	F	G	H	CI	CI*
BLR1	½	3½	3½	4⅞	1⅞	1⅞	3⅞	2	⅝	4.3	4.8
BLR2	¾	4½	4½	5½	1⅞	1⅞	4½	2⅞	⅞	7.3	7.5
BLR3	1	5½	4½	5⅞	1¾	1¾	4½	2½	1	11.8	12.5
BLR4	1¼	7½	6½	7½	2½	2½	6⅞	3½	1½	32.0	36.5

\*LRL Style Only

# Form 7, Form 8 and Red•Dot® Conduit Outlet Bodies

T&B Fittings



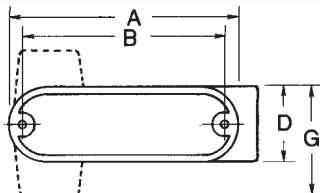
L Form 7

## L Form 7 BlueKote™



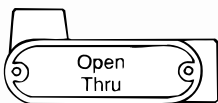
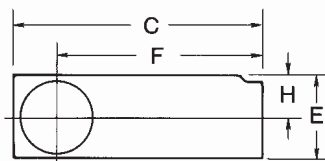
CAT. NO.	SIZE	DIMENSIONS (IN.)				
		A	B	C	D	E
L17-TB	½	4.60	1.40	1.45	.95	3.20
L27-TB	¾	5.25	1.60	1.65	1.15	3.80
L37-TB	1	6.00	1.90	2.60	1.35	4.55
L47-TB	1¼	6.45	2.30	3.05	1.80	5.00
L57-TB	1½	7.90	2.60	3.80	2.05	5.45
L67-TB	2	8.30	3.20	4.25	2.45	6.40

## L Threaded Aluminum



CAT. NO.	SIZE	DIMENSIONS (IN.)										LRL STYLE ONLY	
		A	B	C	D	E	F	G	H	CI	CI	CI	
ALRL1	½	3⅞	3½	4⅞	1⅞	1¾	3⅞	2	A	4.3	4.8		
ALRL2	¾	4⅞	4⅞	5⅞	1⅞ <sub>32</sub>	1¾	4⅞	2⅞	⅞	7.3	7.5		
ALRL3	1	5⅞	4⅞	5⅞	1¾	1¾	4⅞	2½	1	11.8	12.5		
ALRL4	1¼	7¼	6½	7⅞	2½	2¼	6⅞	3⅞	1½	32.0	36.5		
ALRL5	1½	7¼	6½	7⅞	2½	2¼	6⅞	3⅞	1½	32.0	36.5		
ALRL6	2	9½	8⅞	10⅞	3⅞	3⅞	8⅞	3⅞	1⅞	69.5	73.8		

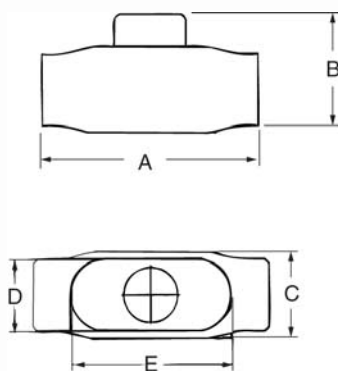
## L EMT Aluminum



LRL Threaded Aluminum and EMT Aluminum

CAT. NO.	SIZE	DIMENSIONS (IN.)										LRL STYLE ONLY	
		A	B	C	D	E	F	G	H	CI	CI	CI	
BLRL1	½	3⅞	3½	4⅞	1⅞	1¾	3⅞	2	⅝ <sub>32</sub>	4.3	4.8		
BLRL2	¾	4⅞	4⅞	5⅞	1⅞ <sub>32</sub>	1¾	4⅞	2⅞	⅞	7.3	7.5		
BLRL3	1	5⅞	4⅞	5⅞	1¾	1¾	4⅞	2½	1	11.8	12.5		
BLRL4	1¼	7¼	6½	7⅞	2½	2¼	6⅞	3⅞	1½	32.0	36.5		
BLRL5	1½	7¼	6½	7⅞	2½	2¼	6⅞	3⅞	1½	32.0	36.5		
BLRL6	2	9½	8⅞	10⅞	3⅞	3⅞	8⅞	3⅞	1⅞	69.5	73.8		

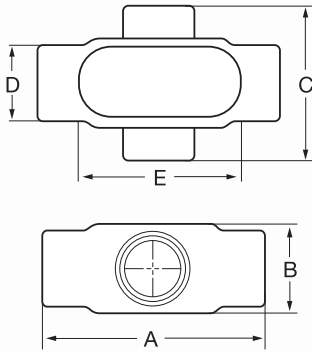
## TB Form 8 BlueKote™



TB Form 8

CAT. NO.	SIZE	DIMENSIONS (IN.)					CI
		A	B	C	D	E	
TB18	½	5⅞	2⅞	1¾	1	3⅞	6.0
TB28	¾	6⅞	2⅞	1¾	1⅞	3⅞	9.0
TB38	1	7⅞	3¼	1¾	1¾	4⅞	15.0
TB448	1¼	8⅞	3⅞	2⅞	1¾	5⅞	24.0
TB58	1½	10⅞	3⅞	2⅞	2⅞	6⅞	46.5
TB68	2	12¼	4¼	3⅞	3	8⅞	88.0

## Form 7, Form 8 and Red•Dot® Conduit Outlet Bodies



X Form 7 and Form 8

### X Form 7 BlueKote™

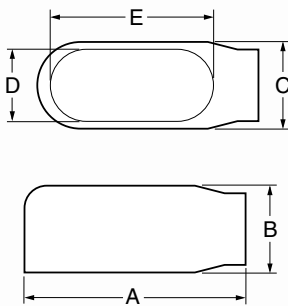


CAT. NO.	SIZE	DIMENSIONS (IN.)					
		A	B	C	D	E	CI
X17	½	5.60	1.80	3.05	.95	3.20	6.0
X27	¾	6.20	2.00	3.30	1.15	3.80	9.1
X37	1	7.35	2.30	3.80	1.35	4.55	16.9
X47	1¼	7.30	2.30	3.85	1.80	5.00	19.3
X57	1½	8.60	2.60	5.05	2.05	5.45	27.5
X67	2	9.50	3.20	5.45	2.45	6.40	52.8

### X Form 8 BlueKote™



CAT. NO.	SIZE	DIMENSIONS (IN.)					
		A	B	C	D	E	CI
X18	½	5 <sup>1</sup> / <sub>16</sub>	1¼	2 <sup>29</sup> / <sub>32</sub>	1	3 <sup>3</sup> / <sub>16</sub>	6.0
X28	¾	6 <sup>3</sup> / <sub>32</sub>	2	3 <sup>1</sup> / <sub>16</sub>	1¼	3 <sup>15</sup> / <sub>16</sub>	9.0
X38	1	7 <sup>7</sup> / <sub>16</sub>	2¼	3½	1¼	4 <sup>4</sup> / <sub>16</sub>	15.0
X448	1¼	8½	2¾	4¼	1¾	5 <sup>5</sup> / <sub>16</sub>	24.0
X58	1½	10¾	2 <sup>17</sup> / <sub>32</sub>	5¼	2¼	6½	46.5
X68	2	12¼	3 <sup>3</sup> / <sub>16</sub>	6¼	3	8 <sup>8</sup> / <sub>16</sub>	88.0



E Form 7

### E Form 7 BlueKote™

CAT. NO.	SIZE	DIMENSIONS (IN.)					
		A	B	C	D	E	CI
E17	½	4.60	1.40	1.45	.95	3.20	6.0
E27	¾	5.25	1.60	1.65	1.15	3.80	9.1
E37	1	6.00	1.90	1.80	1.35	4.55	16.9

### E Threaded Aluminum

CAT. NO.	SIZE	DIMENSIONS (IN.)							
		A	B	C	D	E	F	G	CI
AE-1	½	3 <sup>3</sup> / <sub>8</sub>	4 <sup>3</sup> / <sub>8</sub>	1 <sup>21</sup> / <sub>64</sub>	1 <sup>1</sup> / <sub>8</sub>	2 <sup>13</sup> / <sub>32</sub>	2 <sup>1</sup> / <sub>16</sub>	1 <sup>13</sup> / <sub>16</sub>	4.3
AE-2	¾	4 <sup>3</sup> / <sub>8</sub>	5 <sup>3</sup> / <sub>8</sub>	1 <sup>17</sup> / <sub>32</sub>	1 <sup>1</sup> / <sub>8</sub>	2 <sup>25</sup> / <sub>32</sub>	2 <sup>11</sup> / <sub>32</sub>	1 <sup>15</sup> / <sub>16</sub>	7.3
AE-3	1	5 <sup>3</sup> / <sub>8</sub>	5 <sup>11</sup> / <sub>16</sub>	1 <sup>1</sup> / <sub>4</sub>	1 <sup>1</sup> / <sub>8</sub>	3¼	2 <sup>3</sup> / <sub>8</sub>	1	11.8