

Elbows-PVC Coated T&B Catalog Number:

ELL4-G
70450837068
Active

UPC Number: Status: Description:

4 in. x 90 degree Dark Gray 40 mil PVC Coated Hot-Dip Galvanized Rigid Steel Elbow.

Features

A minimum .040 in. (40 mil) PVC coating on the exterior.

A nominal .002 in. (2 mil) blue urethane on the interior.

Ocal-Blue standard radius elbows are factory bent to reduce the time and wasted materials that can result from field bending.

Color coded thread protectors on each end.

General

Custom_Finish	sre_490
Material	Steel
Finish	Hot-Dip Galvanized
Color	Dark Gray
Thread Protector Color	Blue

Dimension Information

Pipe Size (Metric Size Designator*)	103
Size (inches)	4
Degree of Bend	90
Radius-R (inches)	16.00
Radius-R (mm)	406.4
Offset-C (inches)	23.18
Offset-C (feet/inches)	23.18
Offset-C (mm)	588.772
Straight End-D (inches)	7.96
Straight End-D (mm)	202.184
Unbent Length (inches)	39.50
Unbent Length (mm)	1003.3

Technical Information

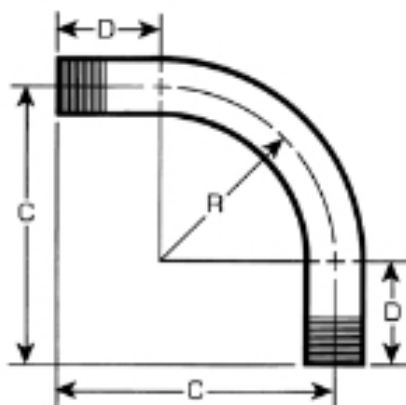
Chemical Resistance Chart Available on Website

Specifications

Ocal Specification Guide-1995 Master Format-PDF	Available on Website
Ocal Specification Guide-1995 Master Format-DOC	Available on Website
Ocal Specification Guide-2004 Master Format-PDF	Available on Website
Ocal Specification Guide-2004 Master Format-DOC	Available on Website

Packaging

Package in Units	1
T&B Sold in UOM	Each
T&B Weight Per UOM	33.12 lbs. Each



Application Support

T&B Sales Drawings	wsd-000551
Ocal Specifications	Available on Website
Recommended Installation Procedures	Available on Website
NEMA Standards-RN 1	Available on Website
NEC 310-16 - Conductors for General Wiring	Available on Website
NEC Table 8	Available on Website

Notes

Metric size designator (ANSI C80. 1-1994)
Dimensional values are of uncoated elbows.

Certifications

RoHS Compliance No

Certifications



File Nbr:
E 46453

For further technical assistance, please contact us...

Thomas & Betts - USA
8155 T&B Blvd.
Memphis, TN 38125
www.tnb.com

T&B Technical Support
MS 3B-50
8155 T&B Blvd.
Memphis, TN 38125

Hours: 7AM - 6PM CDT
Monday-Friday
Phone: (888) 862-3289
Fax: (901) 252-1321
Email:techsupport@tnb.com