

## STR : LED Linear Strip



project name	type
catalog number	
comments	voltage
approved by	date

23/  
32/46  
watts

3013-  
6026  
lumens

80+  
CRI

4000K/  
5000K  
CCT

### Features

- Ideal choice for size-restricted architectural applications
- Steady performance and long lifetime
- Continuous dimming to 10%
- 5 year warranty

### Performance

- 2C: 3,013lm @ 23W (131 lpw)
- 3C: 4,224lm @ 32W (132 lpw)
- 4C: 6,026lm @ 46W (131 lpw)
- 50,000 hours (L70) life
- -4°F to 122°F (-20°C to +50°C) operating temperature
- UL listed for dry/damp locations
- CRI: > 80
- Input voltage: 100-277VAC
- Power Factor: > 0.9
- THD < 20%

### Applications

- Storage areas
- Utility areas
- Coves
- Display cases
- Retail
- Task lighting
- General area lighting

### Ordering Information

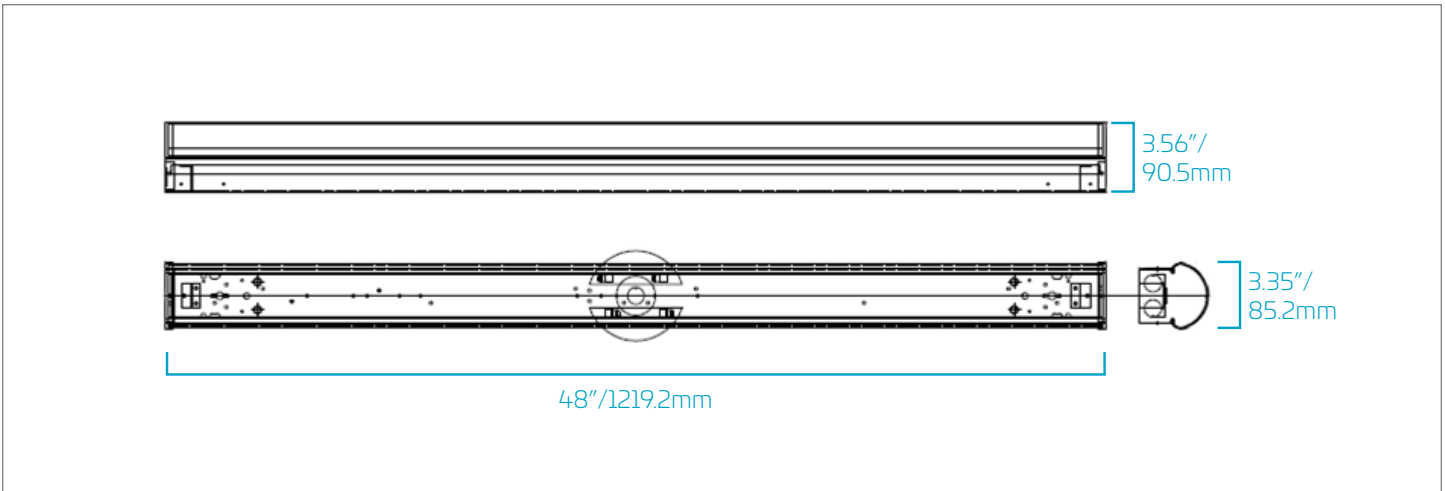
Order Code	Item #	Size	Lm	W	CCT	CRI	Life/Hrs	V	Dimming	Fluor Equivalent	DLC Premium
<b>09534</b>	STR-2C-40K-U	4'	3013	23W	4000K	80+	50K	120-277VAC	0-10V	48W	✓
<b>09820</b>	STR-2C-50K-U	4'	3000	23W	5000K	80+	50K	120-277VAC	0-10V	48W	✓
<b>09535</b>	STR-3C-40K-U	4'	4224	32W	4000K	80+	50K	120-277VAC	0-10V	75W	✓
<b>09821</b>	STR-3C-50K-U	4'	4200	32W	5000K	80+	50K	120-277VAC	0-10V	75W	✓
<b>09536</b>	STR-4C-40K-U	4'	6026	46W	4000K	80+	50K	120-277VAC	0-10V	100W	✓
<b>09822</b>	STR-4C-50K-U	4'	6000	46W	5000K	80+	50K	120-277VAC	0-10V	100W	✓

✓ DesignLights Consortium® Premium Qualified



# STR : LED Linear Strip

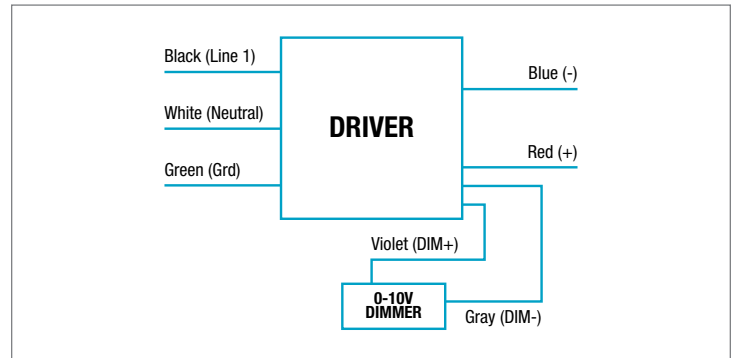
## Dimensions



## Zonal Lumen Summary

Zone	Lumens	% Fixture
0-30	10574	26.5%
0-40	17015	42.7%
0-60	29063	72.9%
60-90	8293	20.8%
70-100	4593	11.5%
90-120	1563	3.9%
0-90	3935.7	93.7%
90-180	2531	6.3%
0-180	41,088.8	100%

## Wiring Diagram



## Accessories (Sold Separately)

Order Code	Litespan Part #	Description
<b>09823</b>	STR-LCK	LED Strip, Linear Connection Kit
<b>09843</b>	STR-LENS	Replacement Lens for STR Fixtures
<b>09788</b>	STR-4-WG-W	Wire Guard, 4 ft. LED Strip, White
<b>09849</b>	FHSCP-UNV-5WL	5W Emergency Battery Backup
<b>09851</b>	FHSCP-UNV-7.8WL	7.8W Emergency Battery Backup
<b>09850</b>	FHSCP-UNV-10.7WL	10.7W Emergency Battery Backup
<b>09852</b>	FHSCP-UNV-13.7WL	13.7W Emergency Battery Backup
<b>09854</b>	FHSCP-UNV-17WL	17W Emergency Battery Backup

watch > like > follow

