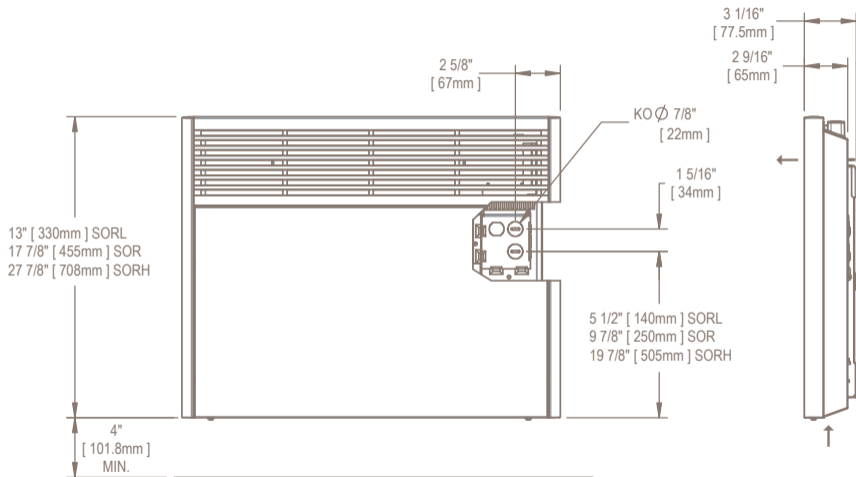


TECHNICAL DRAWINGS



FRONT

SIDE