

WALL FAN HEATER

AWF SERIES

VERSATILITY IS THE NAME OF THE GAME!

The AWF is a high-capacity fan heater that's ideal for building lobbies, long corridors, stairwells, workshops, factories, and warehouses. Its electrical element is made of high-quality nichrome assuring an immediate surge of hot air. The various modes of wall installation make the AWF heater one of the most versatile fan heaters on the market: it can be surface mounted or recessed, with a variety of models and heating capacities to choose from.



NEW GRILLE WITH ROUNDED SIDES

DURABLE AND STYLISH

WIDE RANGE OF MODELS & HEATING CAPACITIES

INCLUDING A 4800 W SINGLE MODEL

NICHROME ELEMENT

ASSURING INSTANT HEAT

NEW DISCONNECT SWITCH

OPTIONAL

IDEAL FOR:

LOBBIES, CORRIDORS, FACTORIES, WAREHOUSES, STAIRWELLS

COLORS

- standard: white, soft white
- luxurious finish: stainless steel (surcharge)
- ORORA (optional): denim blue, midnight blue, turquoise, moss green, canary yellow, red, orange, anodized aluminum paint, gravel gray, charcoal, espresso, almond, black (refer to www.stelpro.com/en-US/orora)

FINISH

epoxy-polyester powdercoat or stainless steel

MANUFACTURING

- 20-gauge steel cabinet and 18-gauge steel grille
- top air intake with bottom air discharge
- quiet helicoidal fan: single unit 1 x 160 CFM - double unit 2 x 160 CFM - triple unit 3 x 160 CFM
- thermal protection with automatic reset
- totally enclosed, permanently lubricated motor

ELEMENT

high quality nichrome element producing instant heat

CONTROL

connection of multiple units to the same thermostat is possible with a relay kit without transformer (optional) and an external transformer (not provided)

INSTALLATION

- wall mounted
- recessed or surface mounted with surface adapter (optional)

ACCESSORIES

PRODUCT	DESCRIPTION
WFT1	built-in single pole thermostat [120 V-600 V]
WFT2	built-in double pole thermostat [120 V-600 V]
WFA1*	surface adapter (single unit)
WFA2*	surface adapter (double unit)
WFA3*	surface adapter (triple unit)
WFA1SS	stainless steel surface adapter (single unit)
WFA2SS	stainless steel surface adapter (double unit)
WFA3SS	stainless steel surface adapter (triple unit)
WFDIS-30*	disconnect switch kit 600 V/30 A, 2 poles
WFDIS-40*	disconnect switch kit 600 V/40 A, 2 poles/3 poles
WFDIS-60*	disconnect switch kit 600 V/60 A, 2 poles/3 poles
WFC24RX*	relay kit without transformer 24 V

* Add W for white or SW for soft white

* Factory installed

ROUNDED SIDES



TECHNICAL SPECIFICATIONS

WITHOUT CONTROL	BUILT-IN THERMOSTAT	240 V CONTROL	24 V CONTROL	POWER	VOLTAGE	WEIGHT	MODEL
CODE	CODE	CODE	CODE	WATTS	VOLTS	LB	UNIT
AWF1508	AWF1508T	AWF1508C	AWF1508C24	1500	208	20	SINGLE
AWF1502	AWF1502T	AWF1502C	AWF1502C24	1500/1125	240/208	20	SINGLE
AWF1507	AWF1507T	AWF1507C	AWF1507C24	1500	277	20	SINGLE
---	AWF1505T	AWF1505C	AWF1505C24	1500	480	20	SINGLE
AWF2008	AWF2008T	AWF2008C	AWF2008C24	2000	208	20	SINGLE
AWF2002	AWF2002T	AWF2002C	AWF2002C24	2000/1500	240/208	20	SINGLE
AWF2007	AWF2007T	AWF2007C	AWF2007C24	2000	277	20	SINGLE
---	AWF2005T	AWF2005C	AWF2005C24	2000	480	20	SINGLE
AWF3008	AWF3008T	AWF3008C	AWF3008C24	3000	208	20	SINGLE
AWF3002	AWF3002T	AWF3002C	AWF3002C24	3000/2250	240/208	20	SINGLE
AWF3007	AWF3007T	AWF3007C	AWF3007C24	3000	277	20	SINGLE
---	AWF3005T	AWF3005C	AWF3005C24	3000	480	20	SINGLE
AWF4008	AWF4008T	AWF4008C	AWF4008C24	4000	208	20	SINGLE
AWF4002	AWF4002T	AWF4002C	AWF4002C24	4000/3000	240/208	20	SINGLE
AWF4007	AWF4007T	AWF4007C	AWF4007C24	4000	277	20	SINGLE
---	AWF4005T	AWF4005C	AWF4005C24	4000	480	20	SINGLE
AWF4808	AWF4808T	AWF4808C	AWF4808C24	4800	208	20	SINGLE
AWF4802	AWF4802T	AWF4802C	AWF4802C24	4800/3600	240/208	20	SINGLE
AWF4807	AWF4807T	AWF4807C	AWF4807C24	4800	277	20	SINGLE
---	AWF4805T	AWF4805C	AWF4805C24	4800	480	20	SINGLE
---	AWF6008CT	AWF6008C	AWF6008C24	6000	208	40	DOUBLE
---	AWF6002T	AWF6002C	AWF6002C24	6000/4500	240/208	40	DOUBLE
---	AWF6007T	AWF6007C	AWF6007C24	6000	277	40	DOUBLE
---	AWF6005T	AWF6005C	AWF6005C24	6000	480	44	DOUBLE
---	AWF60083CT*	AWF60083C*	AWF60083C24*	6000	208	80	TRIPLE
---	AWF60053CT*	AWF60053C*	AWF60053C24*	6000	480	80	TRIPLE
---	AWF8008CT	AWF8008C	AWF8008C24	8000	208	40	DOUBLE
---	AWF8002CT	AWF8002C	AWF8002C24	8000/6000	240/208	40	DOUBLE
---	AWF8007CT	AWF8007C	AWF8007C24	8000	277	40	DOUBLE
---	AWF8005CT	AWF8005C	AWF8005C24	8000	480	44	DOUBLE
---	AWF90083CT*	AWF90083C*	AWF90083C24*	9000	208	80	TRIPLE
---	AWF90053CT*	AWF90053C*	AWF90053C24*	9000	480	80	TRIPLE
---	AWF12008CT	AWF12008C	AWF12008C24	12 000	208	80	TRIPLE
---	AWF12002CT	AWF12002C	AWF12002C24	12 000/9000	240/208	80	TRIPLE
---	AWF12007CT	AWF12007C	AWF12007C24	12 000	277	80	TRIPLE
---	AWF12005CT	AWF12005C	AWF12005C24	12 000	480	80	TRIPLE
---	AWF120083CT*	AWF120083C*	AWF120083C24*	12 000	208	80	TRIPLE
---	AWF120053CT*	AWF120053C*	AWF120053C24*	12 000	480	80	TRIPLE

Add W for white, SW for soft white or SS for stainless steel (see www.stelpro.com/en-US/orora for optional colors and contact your °STELPRO representative for more information)

* Three-phase unit

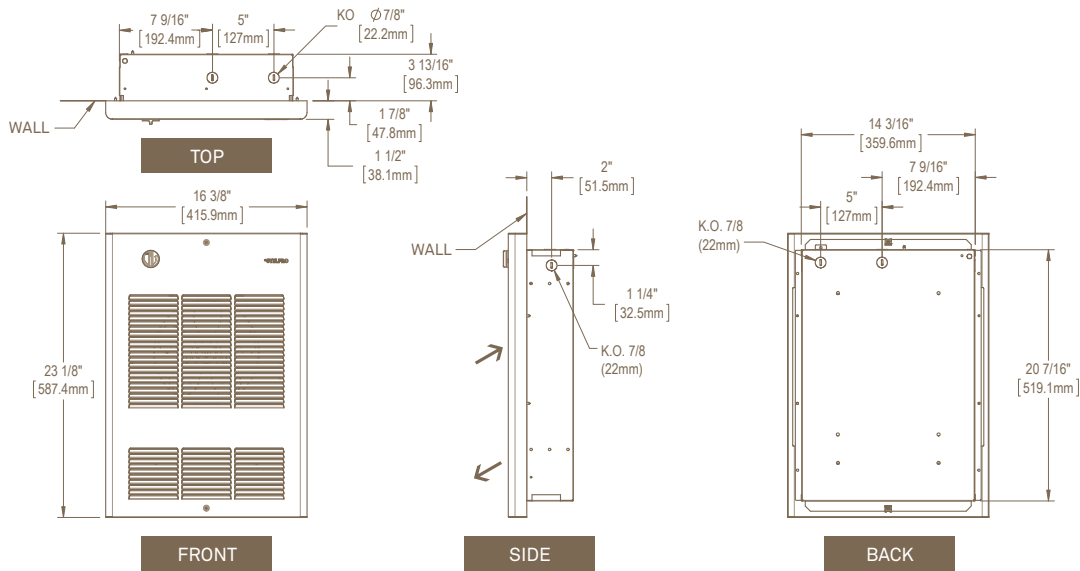
--- not available

THROW DISTANCE AND HEAT RISE

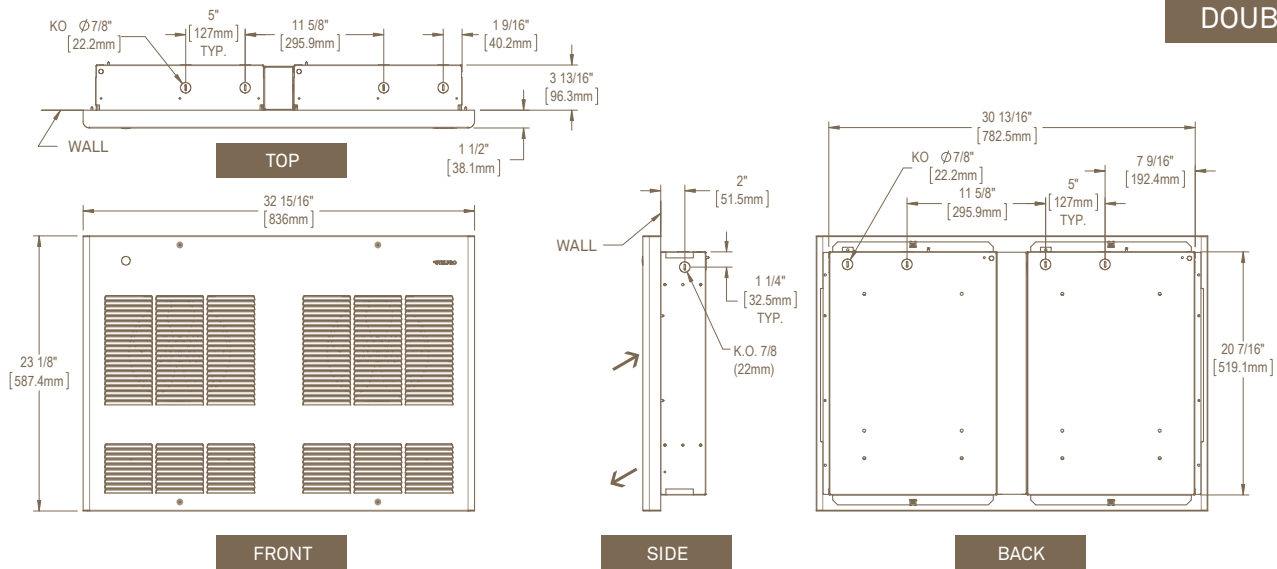
UNITS	THROW DISTANCE	HEAT RISE
KW	FT.	°F
1.5	13'7"	53
2	13'7"	75
3	13'7"	110
4	13'7"	133
4.8	13'7"	167
6	13'7"	110
8	13'7"	133
9	13'7"	110
12	13'7"	133

TECHNICAL DRAWINGS

SINGLE UNIT



DOUBLE UNIT



TRIPLE UNIT

