

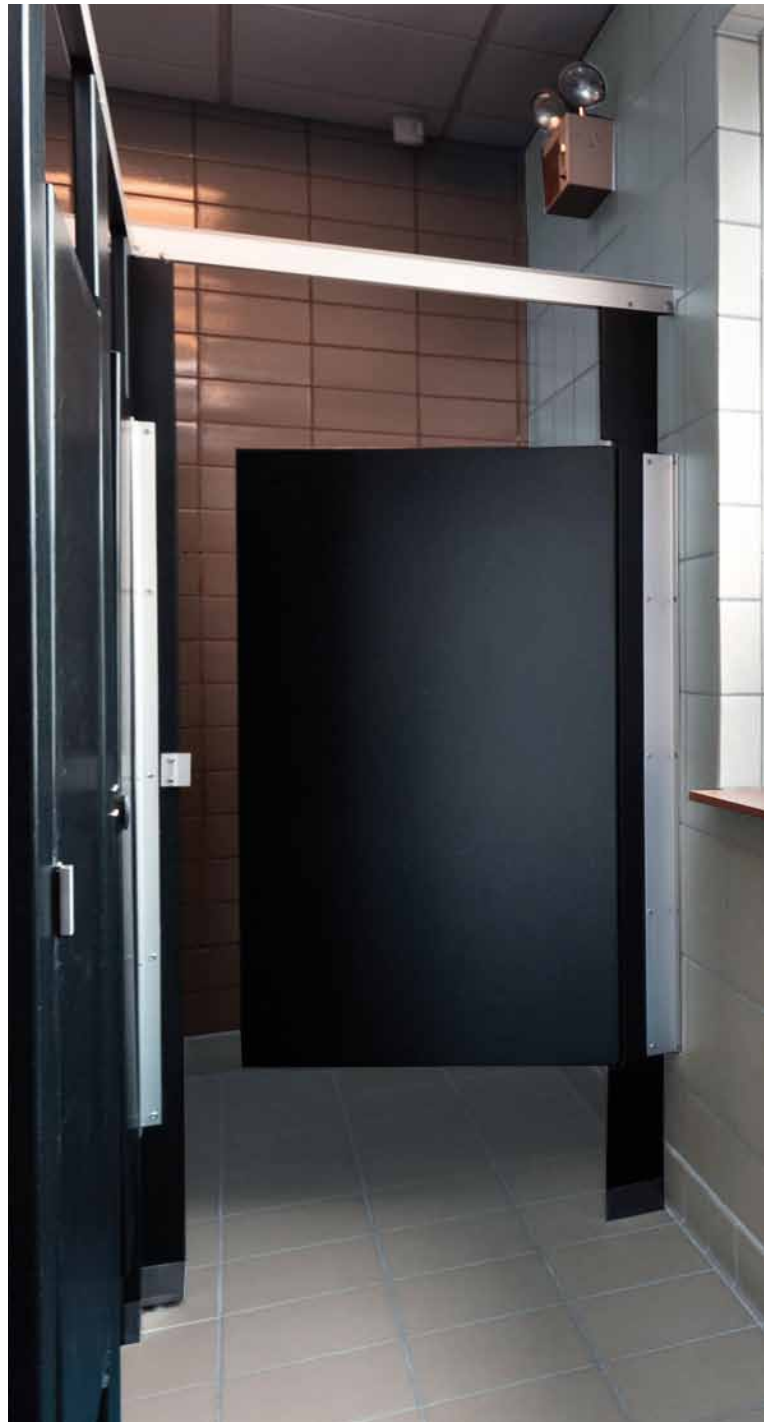
# °XLERATOR HAND DRYER

SHDXL SERIES

## THE STANDARD IN HIGH VELOCITY

The first high velocity hand dryer on the market, the XLERATOR sets the standard for quality and performance in its category. The XLERATOR dries hands in seconds, making it the ultimate choice in washrooms with high traffic, such as stadiums, arenas and public places. Its reinforced, die-cast zinc alloy shell make it virtually unbreakable. The first choice for LEED® buildings, the XLERATOR is the ideal high velocity hand dryer!

- **DRIES HANDS IN ONLY 15 SECONDS!**
- **STARTS AND STOPS AUTOMATICALLY**
- **PERFECT FOR LEED® BUILDINGS**





# XLERATOR

## FEATURES

### **COLORS**

- standard: white, white polymer BMC
- luxurious finish: chrome, graphite or brushed stainless steel (surcharge)

### **FINISH**

epoxy-polyester powdercoat

### **MANUFACTURING**

- rib reinforced shell, solidly constructed of die-cast zinc alloy
- lightweight, unbreakable and rustproof
- secured to its supporting wall bracket with two chrome-plated, tamper-proof bolts

### **SOUND LEVEL**

71 dBA (81 dBA with hands)

### **ELEMENT**

nichrome element producing instant heat

### **CONTROL**

- infrared optical sensor located next to the air outlet activates hand dryer
- 35-second lockout feature is activated if hands are not removed before this time

### **INSTALLATION**

wall mounted



WHITE



CHROME



WHITE POLYMER BMC



BRUSHED STAINLESS STEEL



GRAPHITE



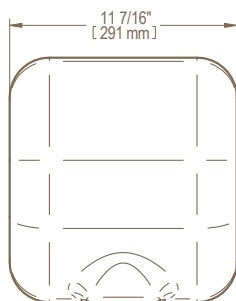
Create a memorable impact by personalizing your hand dryer. Choose your color and have your company logo printed right on the dryer. For more details, contact your °STELPRO representative.

# PERSONALIZATION

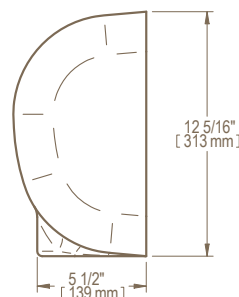
## TECHNICAL DRAWINGS



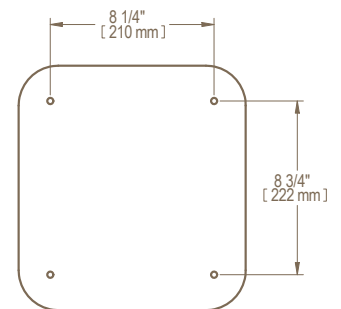
TOP



FRONT



SIDE



BACK

# TECHNICAL SPECIFICATIONS

PRODUCT		POWER (WATTS)		VOLTAGE	AMPERAGE	WEIGHT	
CODE	ELEMENT	MOTOR	TOTAL	VOLTS	AMPERES	KG	LB
SHDXLAS1	1000	500	1500	120	12.5	7.3	16
SHDXLAS8	1000	500	1500	208	7.0	7.3	16
SHDXLAS2	1000	500	1500	240	6.5	7.3	16

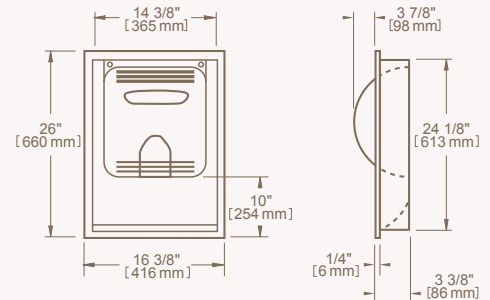
Add W for white, BW for white polymer BMC, CH for chrome, SS for brushed stainless steel or GR for graphite

RECOMMENDED INSTALLATION HEIGHTS - Distance between floor and bottom of hand dryer				
MEN	WOMEN	TEENAGERS	CHILDREN	HANDICAPPED
45" (115 cm)	43" (110 cm)	41" (105 cm)	35" (90 cm)	37" (95 cm)

## ACCESSORIES

### RECESS KIT

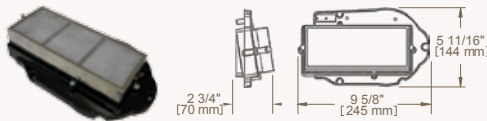
The recess kit is comprised of a stainless steel, satin finish wall box and mounting plate. When installed with the recess kit, the XLERATOR takes up less than 4 in. of wall depth, meeting ADA Protrusion Requirements (*Americans with Disabilities Act*).



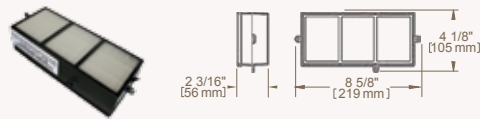
### HEPA FILTRATION SYSTEM

\*STELPRO offers the only certified HEPA filtration system, proven to remove 99.97% of bacteria and particles from the air.

HEPA FILTER KIT



HEPA REPLACEMENT FILTER



PRE-FILTER



### WALL GUARD

The wall guard protects the wall under the hand dryer from drops of water due to wet hands being blown dry, keeping bacteria from forming on the wall.



PRODUCT	DESCRIPTION
SHDXL-40525	HEPA filter kit
SHDXL-40520	HEPA replacement filter
SHDXL-94	Replacement pre-filter with stainless steel mesh screen
SHDXL-40502	Stainless steel recess kit
SHDXL-89W	Wall guard - white (15 3/4 in. x 31 3/4 in. x 1/16 in.)
SHDXL-89B	Wall guard - black (15 3/4 in. x 31 3/4 in. x 1/16 in.)
SHDXL-89S	Wall guard - stainless steel (15 3/4 in. x 31 3/4 in. x 1/16 in.)