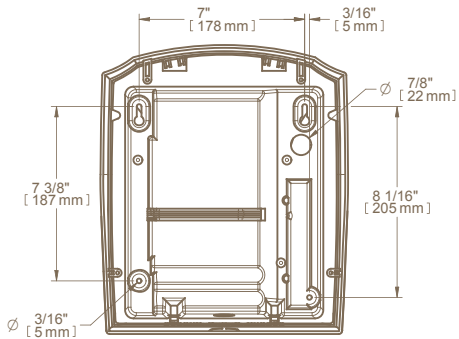
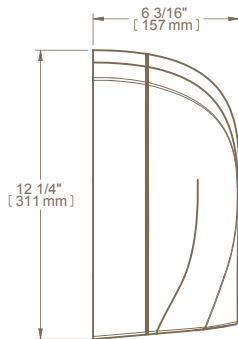


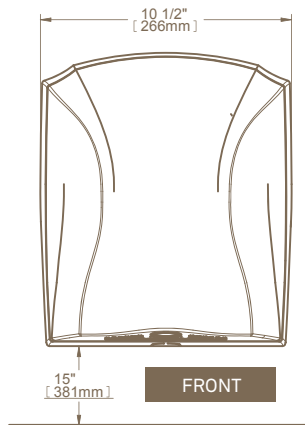
# TECHNICAL DRAWINGS



BACK

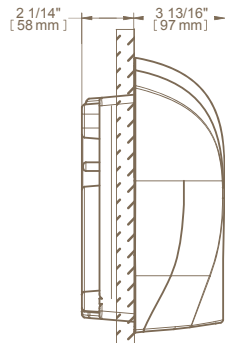


SIDE



FRONT

FLOOR OR COUNTER



RECESSED