

## P/N: T197214

### Copyright

© 2015, FLIR Systems, Inc.

All rights reserved worldwide. Names and marks appearing herein are either registered trademarks or trademarks of FLIR Systems and/or its subsidiaries. All other trademarks, trade names or company names referenced herein are used for identification only and are the property of their respective owners.

### Document identity

Publ. No.: T197214

Release:

Commit: 29700

Language: en-US

Modified: 2015-10-16

Formatted: 2015-10-20

### Website

<http://www.flir.com>

### Customer support

<http://support.flir.com>

### Disclaimer

Specifications subject to change without further notice. Camera models and accessories subject to regional market considerations. License procedures may apply. Products described herein may be subject to US Export Regulations. Please refer to [exportquestions@flir.com](mailto:exportquestions@flir.com) with any questions.



General description	
For R&D usage or development purposes. As an example looking at PCB's or small electronic components.	
Imaging and optical data	
Field of view (FOV)	16 × 12 mm
Magnifying factor	2×
Working distance	33 mm
Depth of field	±0.4 mm
Focal length	37 mm (1.5 in.)
Spatial resolution (IFOV)	Depends on the IR resolution of the camera: 100 μm for 160 × 120 pixels 80 μm for 200 × 150 pixels 67 μm for 240 × 180 pixels 50 μm for 320 × 240 pixels
F-number	1.3
Number of lenses	2 (2 asph)
MTF @ 70% of FOV	Normal requirements (52%)
Distortion	3%
Physical data	
Weight	0.11 kg (0.24 lb.)
Size (L × D)	35.2 × 55 mm
Shipping information	
Packaging, type	Cardboard box
List of contents	<ul style="list-style-type: none"> <li>• Lens</li> <li>• Lens case</li> </ul>
Packaging, weight	0.346 kg (0.8 lb.)
Packaging, size	172 × 131 × 133 mm (6.8 × 5.2 × 5.2 in.)
EAN-13	7332558005095
UPC-12	845188005122
Country of origin	Sweden

### Compatible with the following products

- 62103-1102; FLIR T420 (incl. Wi-Fi and 15° lens)



## Close-up 2× (50 μm) incl. case

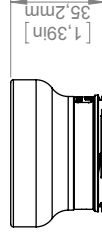
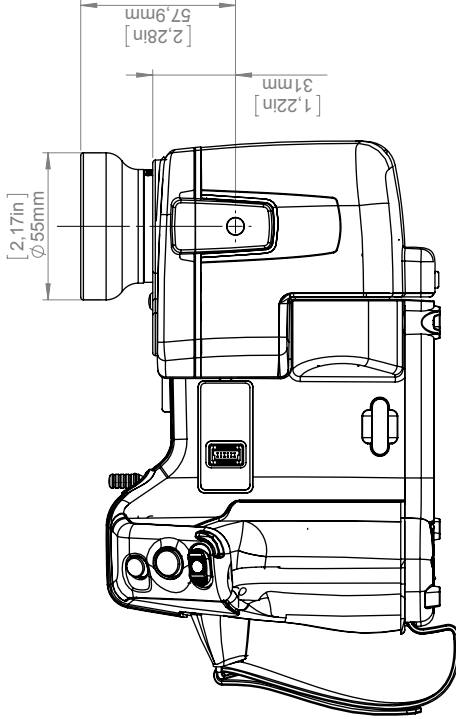
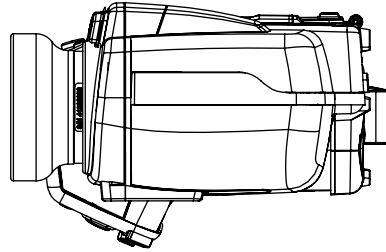
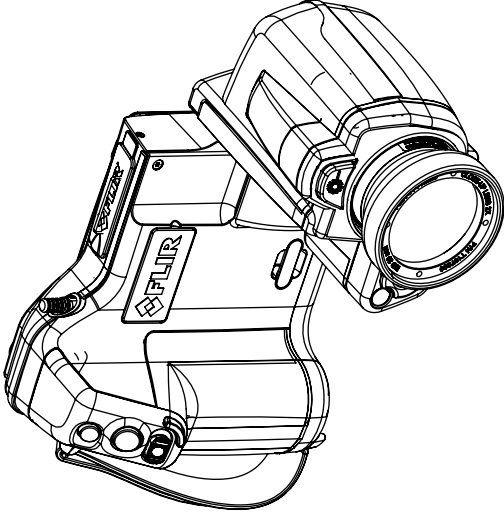
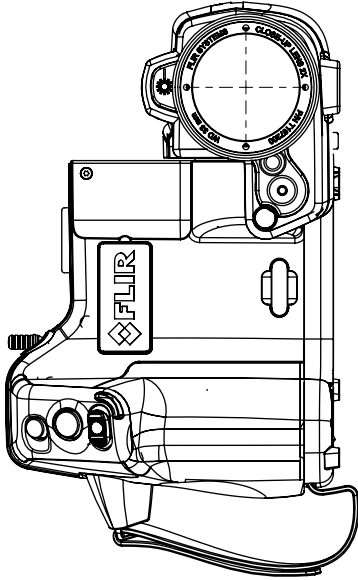
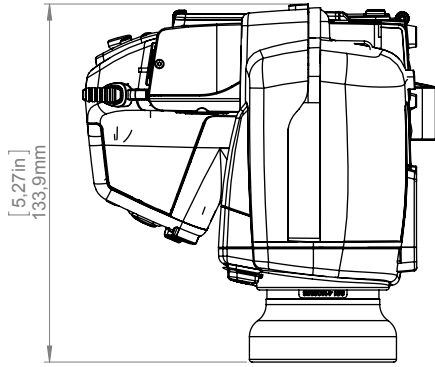
**P/N: T197214**

© 2015, FLIR Systems, Inc.

#T197214; r. /29700; en-US

- 62103-1103; FLIR T420 (incl. Wi-Fi and 45° lens)
- 62103-1101; FLIR T420 (incl. Wi-Fi)
- 62103-1205; FLIR T420 with SC kit (incl. Wi-Fi and 45° lens)
- 62103-1501; FLIR T420bx (incl. Wi-Fi)
- 62104-2203; FLIR T430sc (incl. Wi-Fi)
- 62104-2204; FLIR T430sc with SC kit (incl. Wi-Fi)
- 62103-1302; FLIR T440 (incl. Wi-Fi and 15° lens)
- 62103-1303; FLIR T440 (incl. Wi-Fi and 45° lens)
- 62103-1301; FLIR T440 (incl. Wi-Fi)
- 62103-1701; FLIR T440bx (incl. Wi-Fi)
- 62104-1903; FLIR T450sc (incl. Wi-Fi)
- 62104-2801; FLIR T460 (incl. Wi-Fi)
- 48201-1001; FLIR A300
- 42701-1001; FLIR A300 (9 Hz)
- 48201-1101; FLIR A310
- 42701-1101; FLIR A310 (9 Hz)
- 48001-1101; FLIR A315
- 42901-1101; FLIR A315 (9 Hz)
- 48201-1201; FLIR A320 Tempscreen
- 42701-1201; FLIR A320 Tempscreen (9 Hz)
- 48001-1001; FLIR A325sc

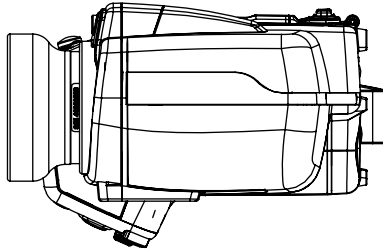
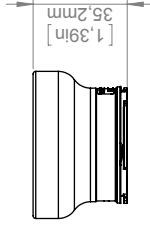
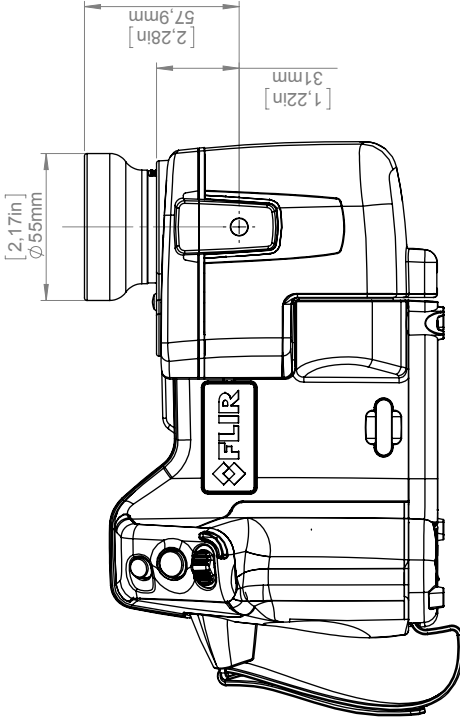
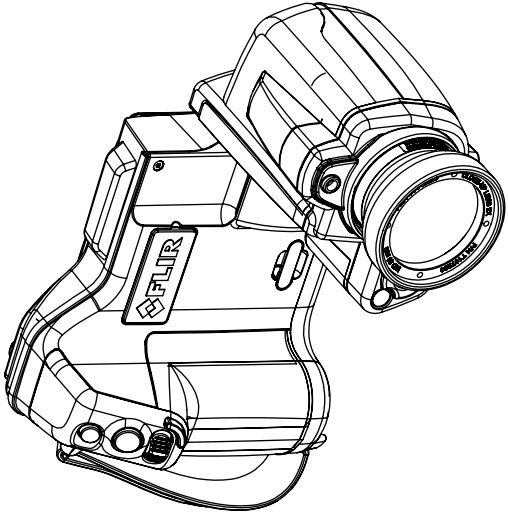
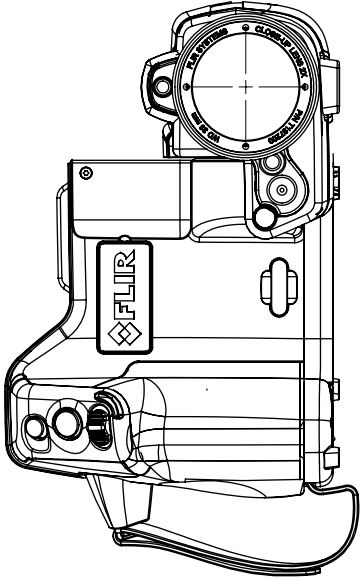
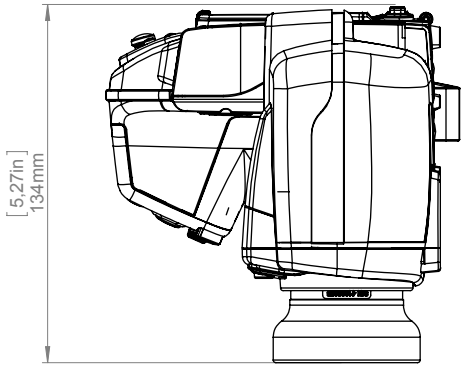
# Camera with Close-up lens 2X (50 µm)



For additional dimensions see page 1

Modified 2012-04-18	Check CAHA	Drawn by R&D Thermography	<b>FLIR</b>
Denomination Basic dimensions FLIR Txxx/Bxxx			Sheet 6(7)
Size A3			Size B
Scale 1:2			Drawing No. T197905

# Camera with Close-up lens 2X (50 µm)



**FLIR**

Size: A3  
Scale: 1:2  
Drawing No.: T127604  
Sheet: 6(7)

Modified	Check	Drawn by	Denomination
2012-06-07	JOTA	R&D Thermography	Basic Dimensions FLIR T4xx

© 2012, FLIR Systems, Inc. All rights reserved worldwide. No part of this drawing may be reproduced, stored in a retrieval system, or transmitted in any form, or by any means, electronic, mechanical, photocopying, recording, or otherwise, without written permission from FLIR Systems, Inc. Specifications subject to change without further notice. Dimensional data is based on nominal values. Products may be subject to regional market considerations. License procedures may apply. Product may be subject to US Export Regulations. Please refer to exportquestions@flir.com with any questions. Diversion contrary to US law is prohibited.

