

## P/N: T197215

### Copyright

© 2015, FLIR Systems, Inc.

All rights reserved worldwide. Names and marks appearing herein are either registered trademarks or trademarks of FLIR Systems and/or its subsidiaries. All other trademarks, trade names or company names referenced herein are used for identification only and are the property of their respective owners.

### Document identity

Publ. No.: T197215

Release:

Commit: 29700

Language: en-US

Modified: 2015-10-16

Formatted: 2015-10-20

### Website

<http://www.flir.com>

### Customer support

<http://support.flir.com>

### Disclaimer

Specifications subject to change without further notice. Camera models and accessories subject to regional market considerations. License procedures may apply. Products described herein may be subject to US Export Regulations. Please refer to [exportquestions@flir.com](mailto:exportquestions@flir.com) with any questions.



General description	
For R&D usage or development purposes. As an example looking at PCB's or small electronic components.	
Imaging and optical data	
Field of view (FOV)	32 x 24 mm
Magnifying factor	4x
Working distance	79 mm
Depth of field	±2.0 mm
Focal length	73 mm (2.9 in.)
Spatial resolution (IFOV)	Depends on the IR resolution of the camera: 200 µm for 160 x 120 pixels 160 µm for 200 x 150 pixels 133 µm for 240 x 180 pixels 100 µm for 320 x 240 pixels
F-number	1.3
Number of lenses	2 (2 asph)
MTF @ 70% of FOV	Normal requirements (52%)
Distortion	3%
Physical data	
Weight	0.11 kg (0.24 lb.)
Size (L x D)	35.2 x 55 mm
Shipping information	
Packaging, type	Cardboard box
List of contents	<ul style="list-style-type: none"> <li>• Lens</li> <li>• Lens case</li> </ul>
Packaging, weight	0.340 kg (0.75 lb.)
Packaging, size	172 x 131 x 133 mm (6.8 x 5.2 x 5.2 in.)
EAN-13	7332558005088
UPC-12	845188005115
Country of origin	Sweden

### Compatible with the following products

- 62103-1102; FLIR T420 (incl. Wi-Fi and 15° lens)



## Close-up 4x (100 µm) incl. case

---

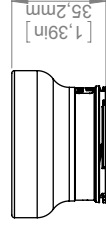
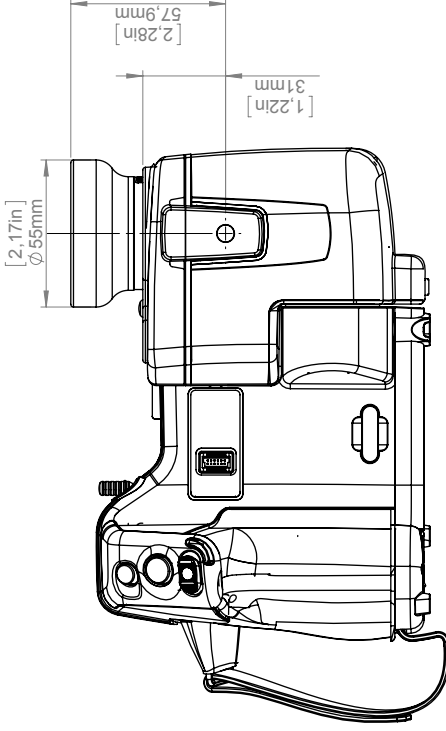
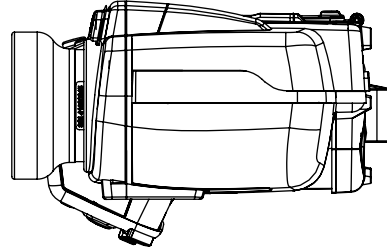
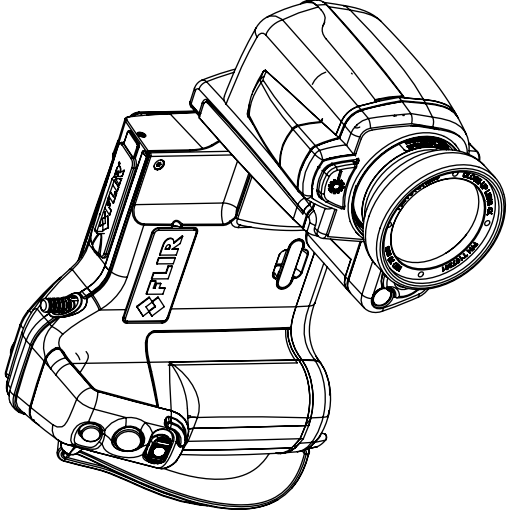
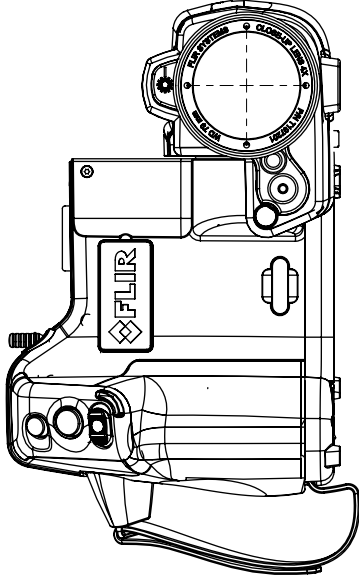
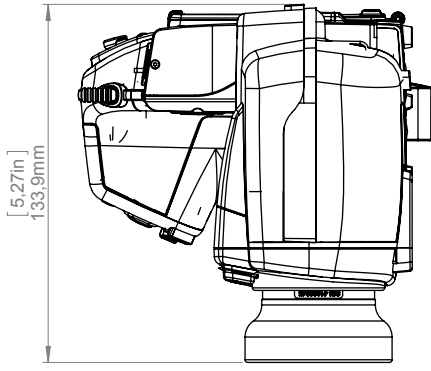
**P/N: T197215**

© 2015, FLIR Systems, Inc.

#T197215; r./29700; en-US

- 62103-1103; FLIR T420 (incl. Wi-Fi and 45° lens)
- 62103-1101; FLIR T420 (incl. Wi-Fi)
- 62103-1205; FLIR T420 with SC kit (incl. Wi-Fi and 45° lens)
- 62103-1501; FLIR T420bx (incl. Wi-Fi)
- 62104-2203; FLIR T430sc (incl. Wi-Fi)
- 62103-1302; FLIR T440 (incl. Wi-Fi and 15° lens)
- 62103-1303; FLIR T440 (incl. Wi-Fi and 45° lens)
- 62103-1301; FLIR T440 (incl. Wi-Fi)
- 62103-1701; FLIR T440bx (incl. Wi-Fi)
- 62104-1903; FLIR T450sc (incl. Wi-Fi)
- 62104-2801; FLIR T460 (incl. Wi-Fi)
- 48201-1001; FLIR A300
- 42701-1001; FLIR A300 (9 Hz)
- 48201-1101; FLIR A310
- 42701-1101; FLIR A310 (9 Hz)
- 48001-1101; FLIR A315
- 42901-1101; FLIR A315 (9 Hz)
- 48201-1201; FLIR A320 Tempscreen
- 42701-1201; FLIR A320 Tempscreen (9 Hz)
- 48001-1001; FLIR A325sc

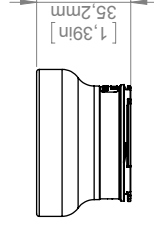
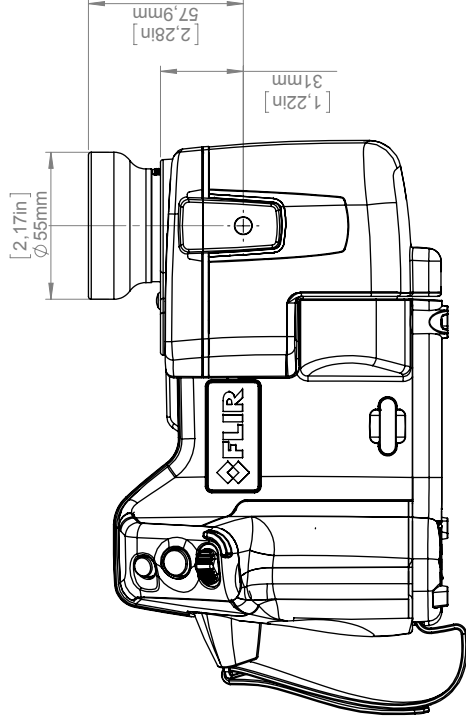
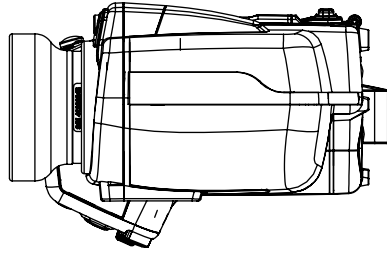
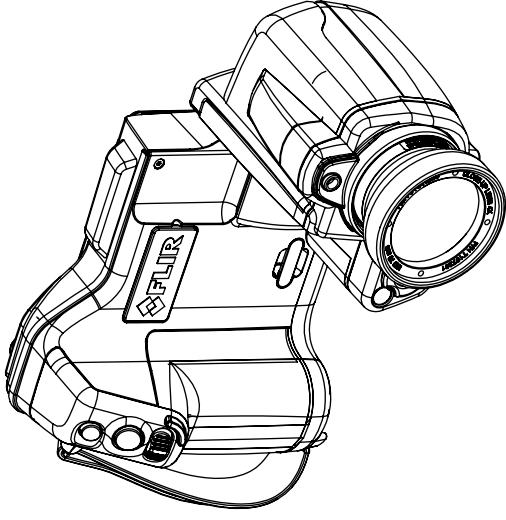
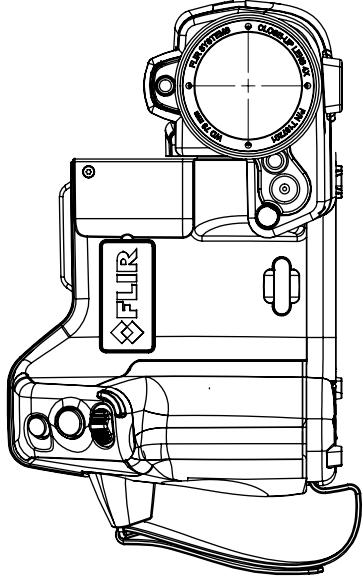
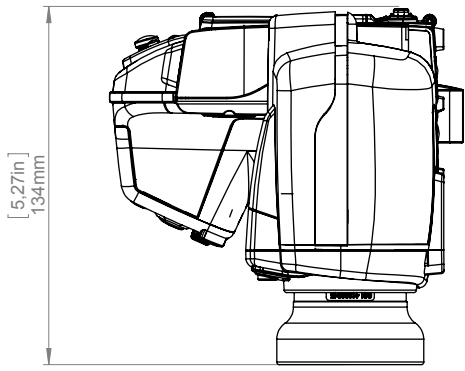
# Camera with Close-up lens 4X (100 µm)



© 2012, FLIR Systems, Inc. All rights reserved worldwide. No part of this drawing may be reproduced, stored in a retrieval system, or transmitted in any form, or by any means, electronic, mechanical, photocopying, recording, or otherwise, without written permission from FLIR Systems, Inc. Specifications subject to change without further notice. Dimensional data is based on nominal values. Products may be subject to regional market considerations. License procedures may apply. Product may be subject to US Export Regulations. Please refer to exportquestions@flir.com with any questions. Diversion contrary to US law is prohibited.

For additional dimensions see page 1			
Modified 2012-04-18	Check CAHA	Drawn by R&D Thermography	FLIR®
Denomination Basic dimensions FLIR Txxx/Bxxx			Size A3
			Scale 1:2
			Sheet 7(7)
			Drawing No. T197905
			Size B

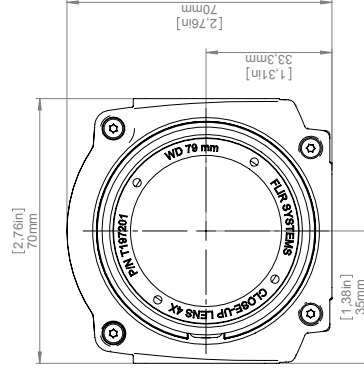
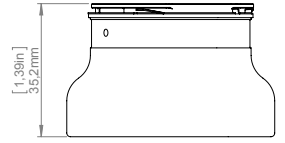
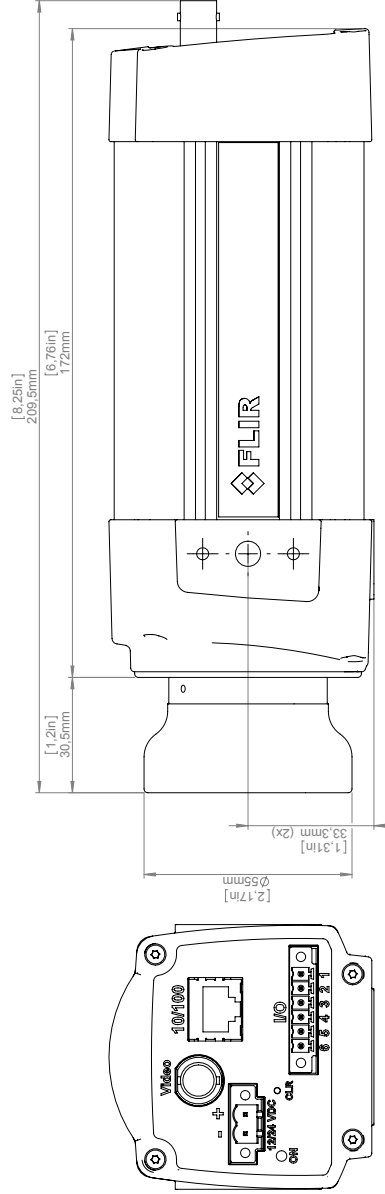
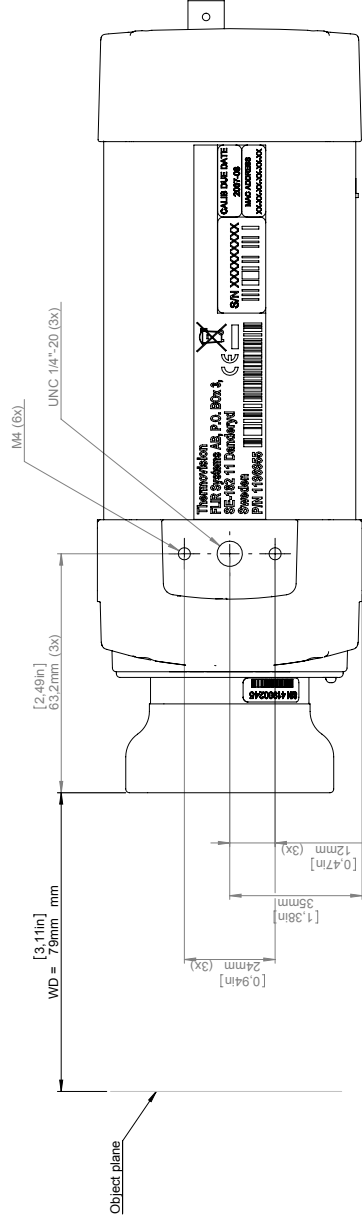
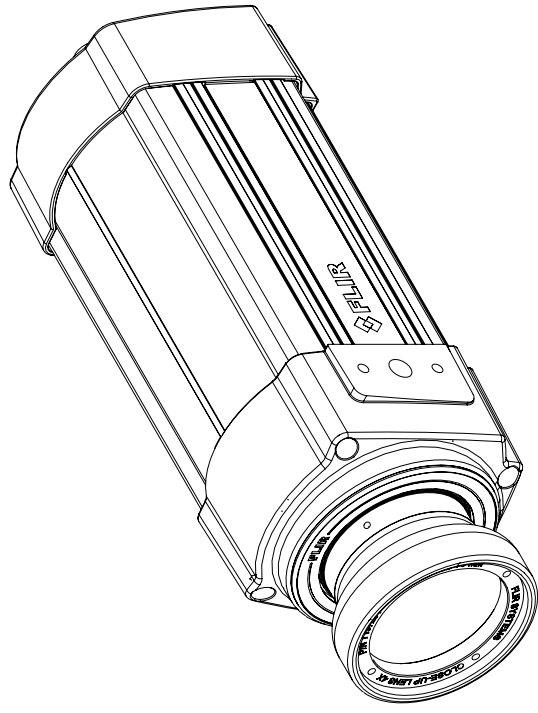
# Camera with Close-up lens 4X (100 μm)



		Drawing No. <b>T127604</b>	Sheet <b>7(7)</b>	Size <b>A3</b>					
Modified <b>2012-06-07</b>	Check <b>JOTA</b>	Drawn by <b>R&amp;D Thermography</b>	Denomination <b>Basic Dimensions FLIR T4xx</b>						
1	2	3	4	5	6	7	8	9	10
A	B	C	D	E	F	G	H	A	A

© 2012, FLIR Systems, Inc. All rights reserved worldwide. No part of this drawing may be reproduced, stored in a retrieval system, or transmitted in any form, or by any means, electronic, mechanical, photocopying, recording, or otherwise, without written permission from FLIR Systems, Inc. Specifications subject to change without further notice. Dimensional data is based on nominal values. Products may be subject to regional market considerations. License procedures may apply. Product may be subject to US Export Regulations. Please refer to exportquestions@flir.com with any questions. Diversion contrary to US law is prohibited.

# Camera with Close-up lens 4X (100 μm)



For additional dimensions see page 1

Modified 2012-04-18	Check CAHA	Drawn by R&D Thermography	Size A3	Scale 1:1	Sheet 08(8)
Denomination Basic dimensions FLIR A3xx/SC3xx			Drawing No. T125002	Size A	