

P/N: T197408

Copyright

© 2015, FLIR Systems, Inc.

All rights reserved worldwide. Names and marks appearing herein are either registered trademarks or trademarks of FLIR Systems and/or its subsidiaries. All other trademarks, trade names or company names referenced herein are used for identification only and are the property of their respective owners.

Document identity

Publ. No.: T197408

Release:

Commit: 29700

Language: en-US

Modified: 2015-10-16

Formatted: 2015-10-20

Website

<http://www.flir.com>

Customer support

<http://support.flir.com>

Disclaimer

Specifications subject to change without further notice. Camera models and accessories subject to regional market considerations. License procedures may apply. Products described herein may be subject to US Export Regulations. Please refer to exportquestions@flir.com with any questions.



General description	
A narrow FOV is used in applications where the object that is going to be monitored is remote from the Camera or when the Camera needs to be far away from the object due to for an example high temperatures.	
Imaging and optical data	
Field of view (FOV)	6° × 4.5°
Minimum focus distance	4 m (13.11 ft.)
Focal length	76 mm (3.0 in.)
Spatial resolution (IFOV)	Depends on the IR resolution of the camera: 0.66 mrad for 160 × 120 pixels 0.53 mrad for 200 × 150 pixels 0.44 mrad for 240 × 180 pixels 0.33 mrad for 320 × 240 pixels
F-number	1.3
Number of lenses	3 (3 asph)
MTF @ 70% of FOV	Normal requirements (52%)
Distortion	3%
Physical data	
Weight	Lens: 0.328 kg (0.723 lb.) Support: 0.099 kg (0.218 lb.)
Size (L × D)	106 × 89 mm (4.17 × 3.48 in.), excluding support
Shipping information	
Packaging, type	Cardboard box
List of contents	<ul style="list-style-type: none"> • Lens • Lens case • Mounting support
Packaging, weight	1.211 kg (2.7 lb.)
Packaging, size	385 × 308 × 165 mm (15.2 × 12.1 × 6.5 in.)
EAN-13	7332558004524
UPC-12	845188004491
Country of origin	Sweden

Compatible with the following products

- 62103-1102; FLIR T420 (incl. Wi-Fi and 15° lens)



IR lens, 76 mm (6°) with case and mounting support for T/B-200/400

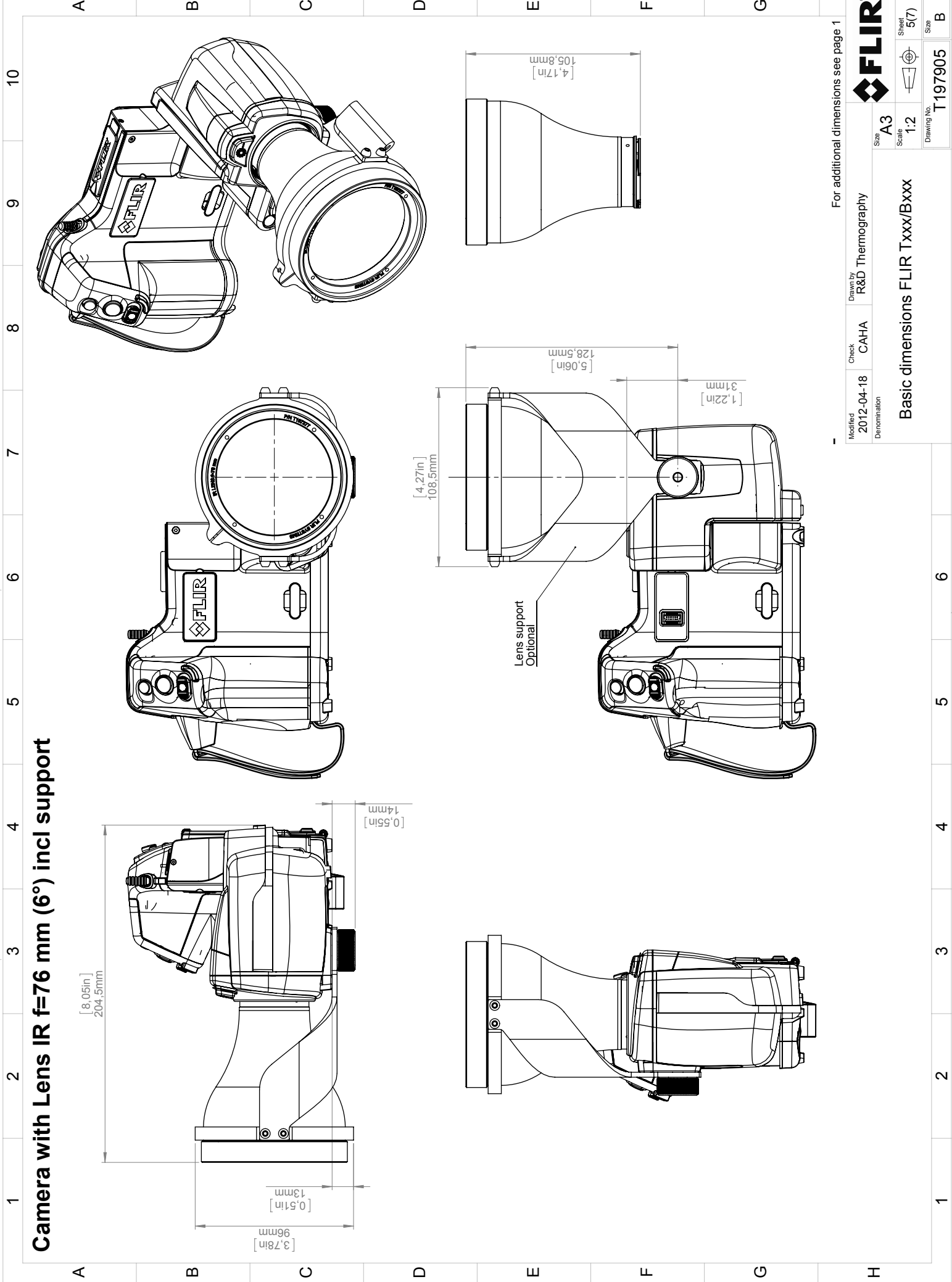
P/N: T197408

© 2015, FLIR Systems, Inc.

#T197408; r./29700; en-US

- 62103-1103; FLIR T420 (incl. Wi-Fi and 45° lens)
- 62103-1101; FLIR T420 (incl. Wi-Fi)
- 62103-1205; FLIR T420 with SC kit (incl. Wi-Fi and 45° lens)
- 62103-1501; FLIR T420bx (incl. Wi-Fi)
- 62104-2203; FLIR T430sc (incl. Wi-Fi)
- 62103-1302; FLIR T440 (incl. Wi-Fi and 15° lens)
- 62103-1303; FLIR T440 (incl. Wi-Fi and 45° lens)
- 62103-1301; FLIR T440 (incl. Wi-Fi)
- 62103-1701; FLIR T440bx (incl. Wi-Fi)
- 62104-1903; FLIR T450sc (incl. Wi-Fi)
- 62104-2801; FLIR T460 (incl. Wi-Fi)

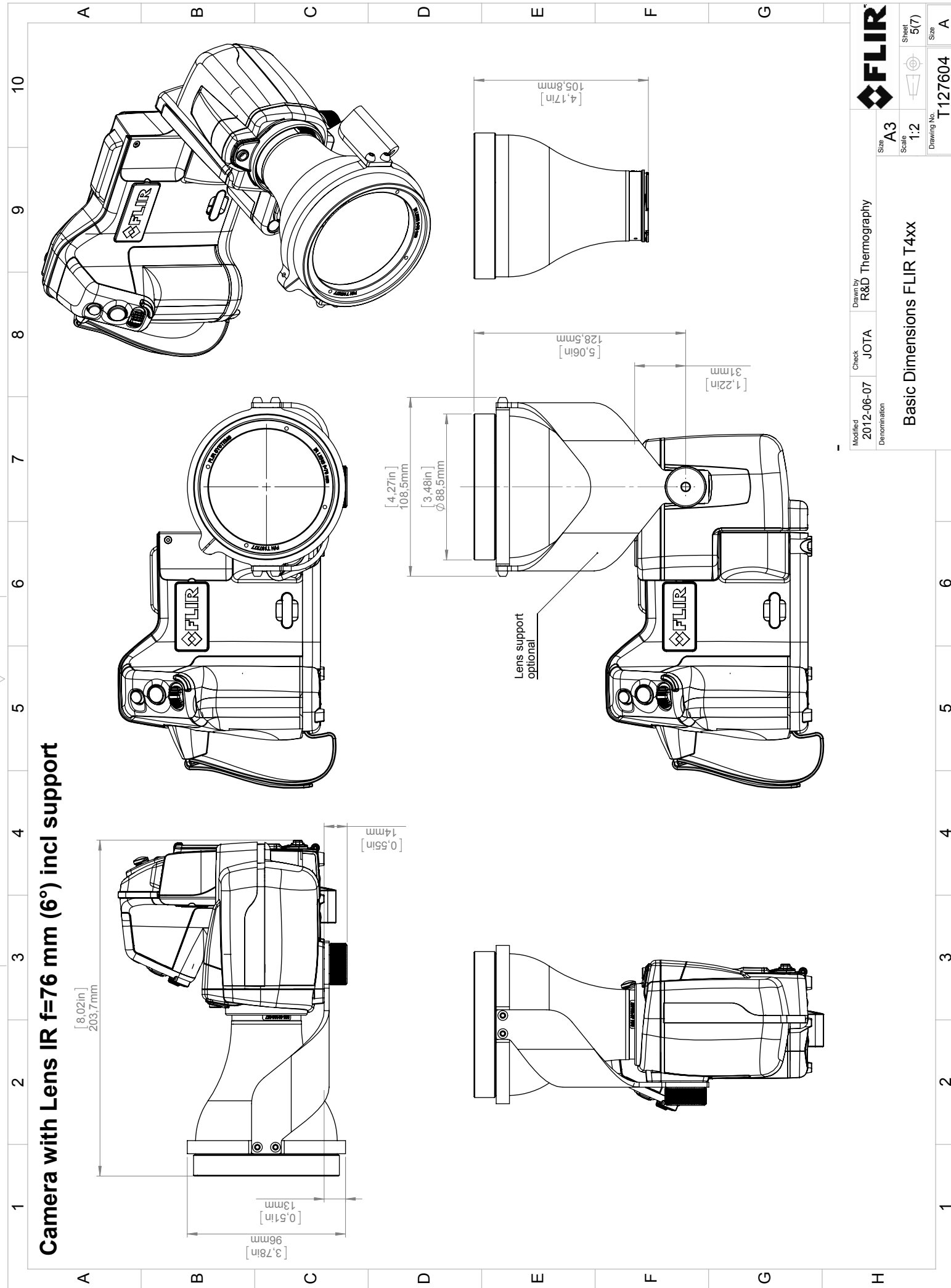
Camera with Lens IR f=76 mm (6°) incl support



Product may be subject to US Export Regulations. Please refer to exportquestions@flir.com with any questions. Diversion contrary to US law is prohibited.
 © 2012, FLIR Systems, Inc. All rights reserved worldwide. No part of this drawing may be reproduced, stored in a retrieval system, or transmitted in any form, or by any means, electronic, mechanical, photocopying, recording, or otherwise, without written permission from FLIR Systems, Inc. Specifications subject to change without further notice. Dimensional data is based on nominal values. Products may be subject to regional market considerations. License procedures may apply.

For additional dimensions see page 1			
Modified 2012-04-18	Check CAHA	Drawn by R&D Thermography	FLIR®
Denomination Basic dimensions FLIR Txxx/Bxxx		Size A3	Sheet 5(7)
		Scale 1:2	Drawing No. T197905
			Size B

Camera with Lens IR f=76 mm (6°) incl support



© 2012, FLIR Systems, Inc. All rights reserved worldwide. No part of this drawing may be reproduced, stored in a retrieval system, or transmitted in any form, or by any means, electronic, mechanical, photocopying, recording, or otherwise, without written permission from FLIR Systems, Inc. Specifications subject to change without further notice. Dimensional data is based on nominal values. Products may be subject to regional market considerations. License procedures may apply. Product may be subject to US Export Regulations. Please refer to exportquestions@flir.com with any questions. Diversion contrary to US law is prohibited.

		Drawing No. T127604	Sheet 5(7)
Modified 2012-06-07	Check JOTA	Drawn by R&D Thermography	Size A3
Denomination Basic Dimensions FLIR T4xx		Scale 1:2	Size A