

## P/N: T198065

### Copyright

© 2015, FLIR Systems, Inc.

All rights reserved worldwide. Names and marks appearing herein are either registered trademarks or trademarks of FLIR Systems and/or its subsidiaries. All other trademarks, trade names or company names referenced herein are used for identification only and are the property of their respective owners.

### Document identity

Publ. No.: T198065  
 Release:  
 Commit: 29700  
 Language: en-US  
 Modified: 2015-10-16  
 Formatted: 2015-10-20

### Website

<http://www.flir.com>

### Customer support

<http://support.flir.com>

### Disclaimer

Specifications subject to change without further notice. Camera models and accessories subject to regional market considerations. License procedures may apply. Products described herein may be subject to US Export Regulations. Please refer to [exportquestions@flir.com](mailto:exportquestions@flir.com) with any questions.



| General description  |  |
|--|--|
| This wide angle lens has a field of view approximately three times that of the standard 25° lens. This lens is suitable for extremely cramped situations where the operator can not step farther back from the object. |  |
| Imaging and optical data   |  |
| Field of view (FOV)  | 80° × 64.4° ( 92.8° diagonal)  |
| Minimum focus distance   | 65 mm (2.6 in.)  |
| Focal length   | 6.5 mm (0.26 in.)  |
| Spatial resolution (IFOV)  | 2.62 mrad  |
| Lens identification  | Automatic  |
| F-number   | 1.0  |
| Number of lenses   | 5 (5 asph)   |
| MTF @ 70% of FOV   | Normal requirements (52%)  |
| Distortion   | 5%   |
| Physical data  |  |
| Weight   | 0.428 kg (0.944 lb.)   |
| Size (L × D)   | 126 × 67 mm (4.96 × 2.64 in.)  |
| Front lens diameter  | 25 mm 0.98 in.)  |
| Shipping information   |  |
| Packaging, type  | Cardboard box  |
| List of contents   | <ul style="list-style-type: none"> <li>• Lens</li> <li>• Lens case</li> <li>• Front lens cap</li> <li>• Rear lens cap</li> </ul> |
| Packaging, weight  | 0.680 kg (1.5 lb.)   |
| Packaging, size  | 174 × 133 × 133 mm (6.9 × 5.2 × 5.2 in.)   |
| EAN-13   | 7332558004418  |
| UPC-12   | 845188004415   |
| Country of origin  | Sweden   |

### Compatible with the following products

- 55903-0922; FLIR T600 15° (incl. Wi-Fi)
- 55903-1022; FLIR T600 25° (incl. Wi-Fi)
- 55903-1522; FLIR T600 45° (incl. Wi-Fi)
- 55903-2822; FLIR T600bx 25° (incl. Wi-Fi)

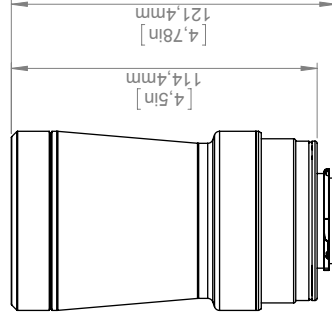
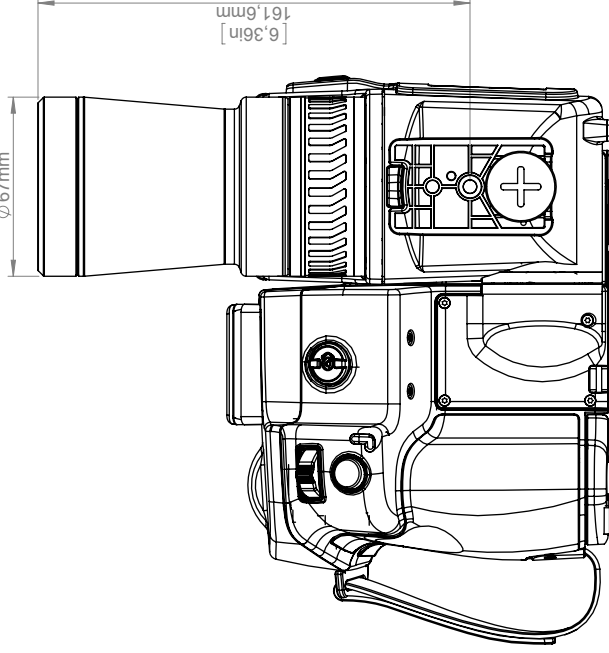
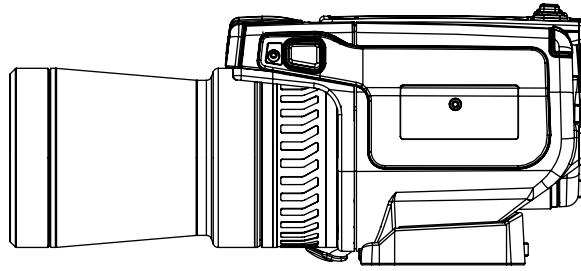
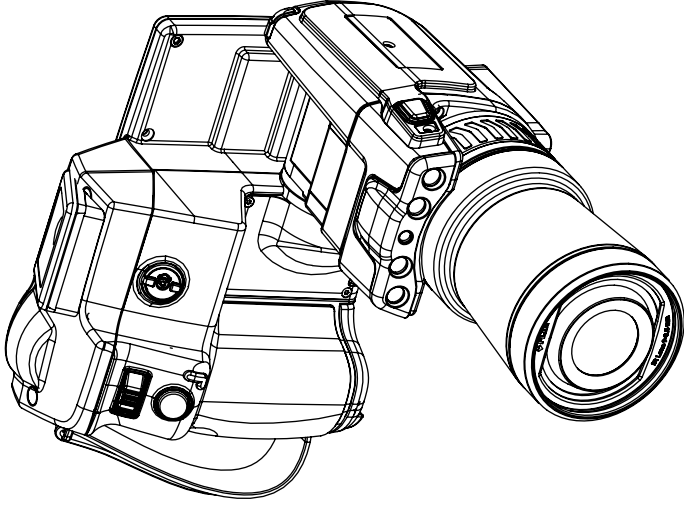
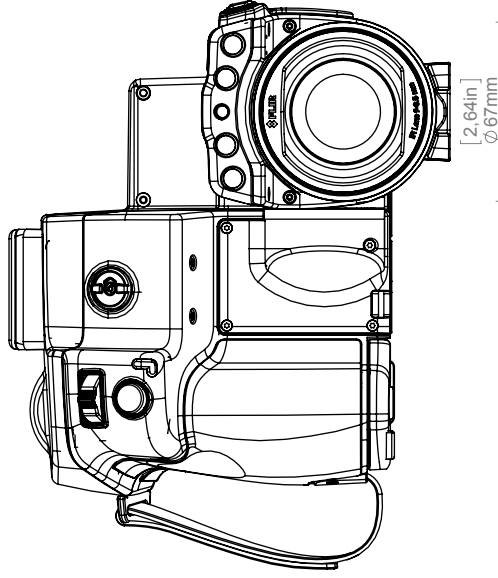
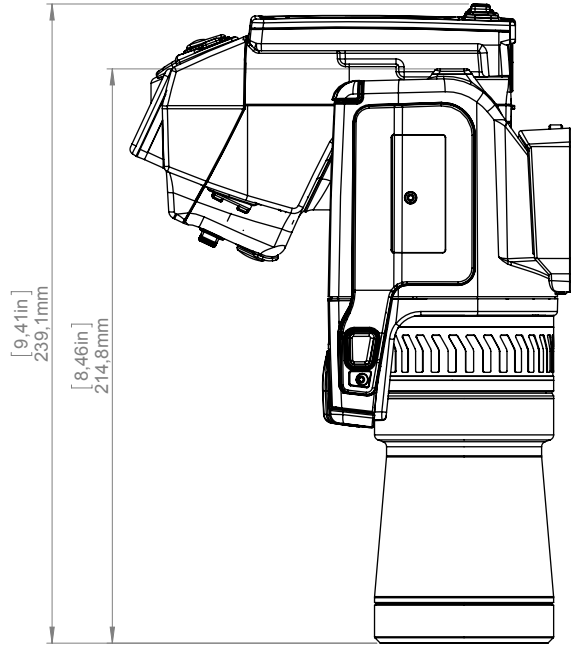
**P/N: T198065**

© 2015, FLIR Systems, Inc.

#T198065; r./29700; en-US

- 55903-2922; FLIR T600bx 45° (incl. Wi-Fi)
- 55903-8022; FLIR T610 15° (incl. Wi-Fi)
- 55903-3922; FLIR T610 25° (incl. Wi-Fi)
- 55903-4022; FLIR T610 45° (incl. Wi-Fi)
- 55903-5022; FLIR T620 15° (incl. Wi-Fi)
- 55903-5122; FLIR T620 25° (incl. Wi-Fi)
- 55903-5222; FLIR T620 45° (incl. Wi-Fi)
- 55903-5622; FLIR T620bx 15° (incl. Wi-Fi)
- 55903-5722; FLIR T620bx 25° (incl. Wi-Fi)
- 55903-5822; FLIR T620bx 45° (incl. Wi-Fi)
- 55904-6222; FLIR T630 15° (incl. Wi-Fi)
- 55904-6322; FLIR T630 25° (incl. Wi-Fi)
- 55904-6422; FLIR T630 45° (incl. Wi-Fi)
- 55904-8023; FLIR T630sc 15° (incl. Wi-Fi)
- 55904-8123; FLIR T630sc 25° (incl. Wi-Fi)
- 55904-8223; FLIR T630sc 45° (incl. Wi-Fi)
- 55904-6822; FLIR T640 15° (incl. Wi-Fi)
- 55904-6922; FLIR T640 25° (incl. Wi-Fi)
- 55904-7022; FLIR T640 45° (incl. Wi-Fi)
- 55904-7422; FLIR T640bx 15° (incl. Wi-Fi)
- 55904-7522; FLIR T640bx 25° (incl. Wi-Fi)
- 55904-7622; FLIR T640bx 45° (incl. Wi-Fi)
- 55904-7723; FLIR T650sc 15° (incl. Wi-Fi)
- 55904-7823; FLIR T650sc 25° (incl. Wi-Fi)
- 55904-7923; FLIR T650sc 45° (incl. Wi-Fi)
- 55904-8422; FLIR T660 15° (incl. Wi-Fi)
- 55904-8522; FLIR T660 25° (incl. Wi-Fi)
- 55904-8622; FLIR T660 45° (incl. Wi-Fi)
- 55001-0101; FLIR A615 15°
- 55001-0102; FLIR A615 25°
- 55001-0103; FLIR A615 45°
- 55001-0104; FLIR A615 7°
- 55001-0105; FLIR A615 80°
- 55001-0301; FLIR A655sc 15°
- 55001-0302; FLIR A655sc 25°
- 55001-0303; FLIR A655sc 45°
- 55001-0304; FLIR A655sc 7°
- 55001-0305; FLIR A655sc 80°

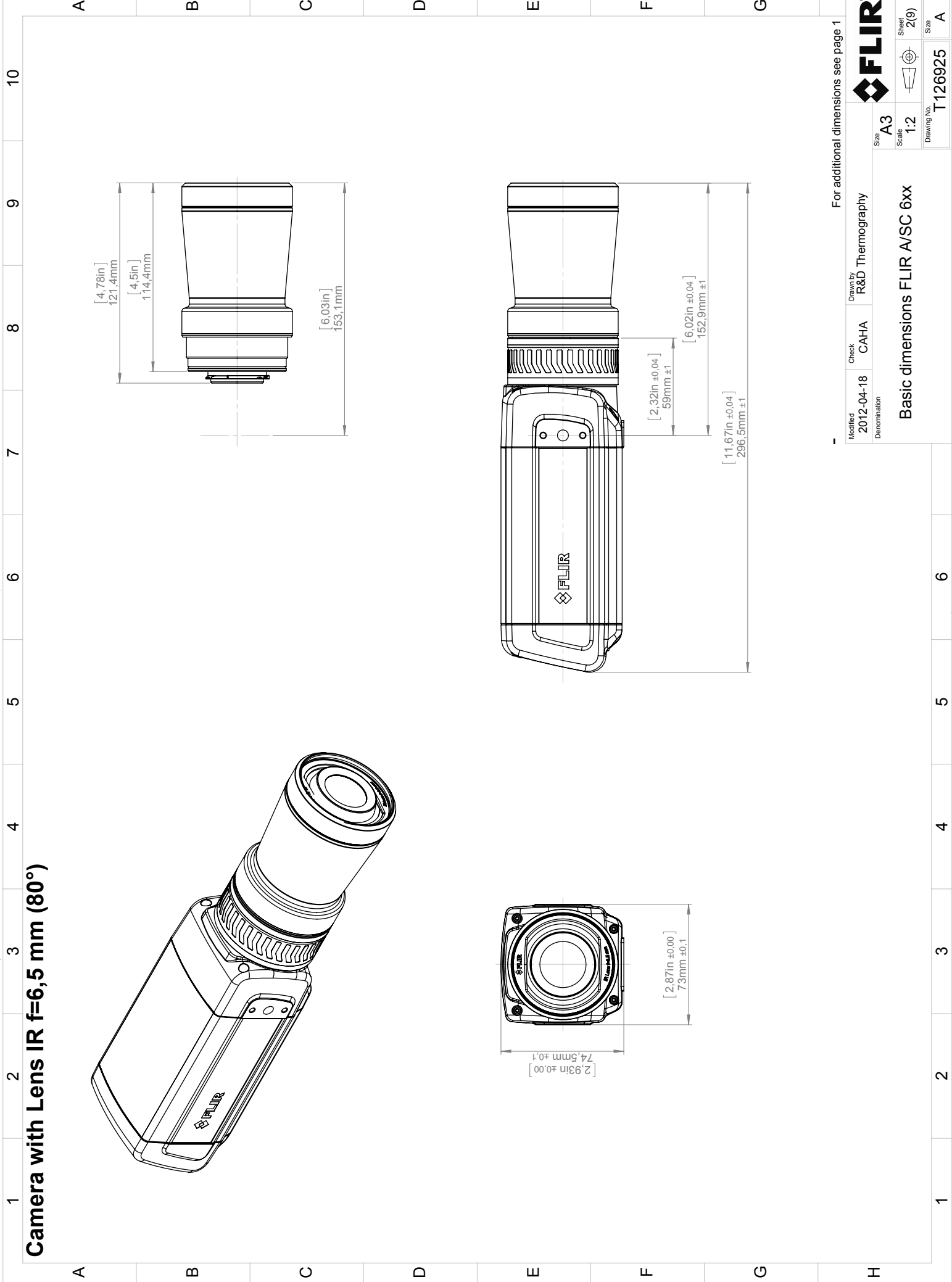
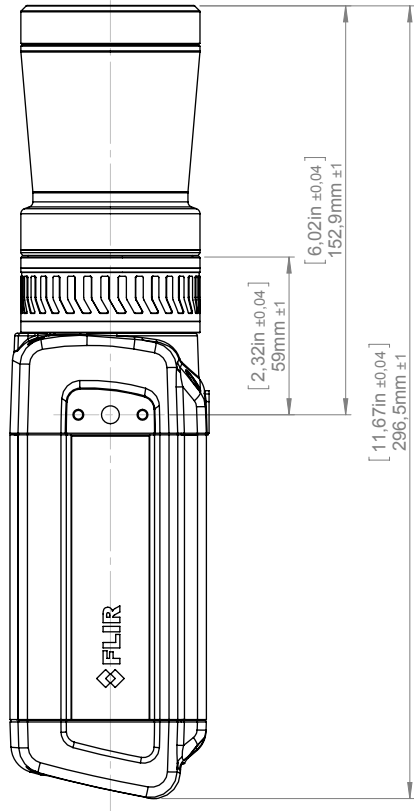
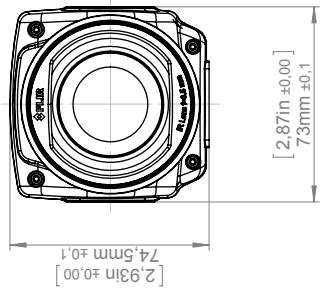
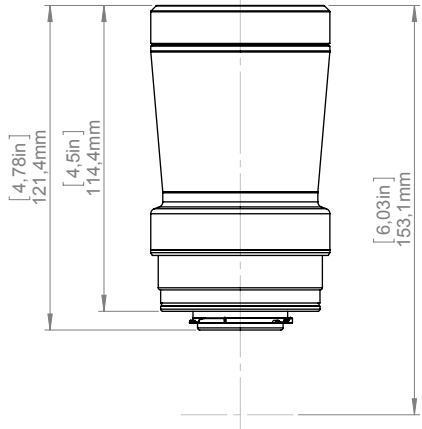
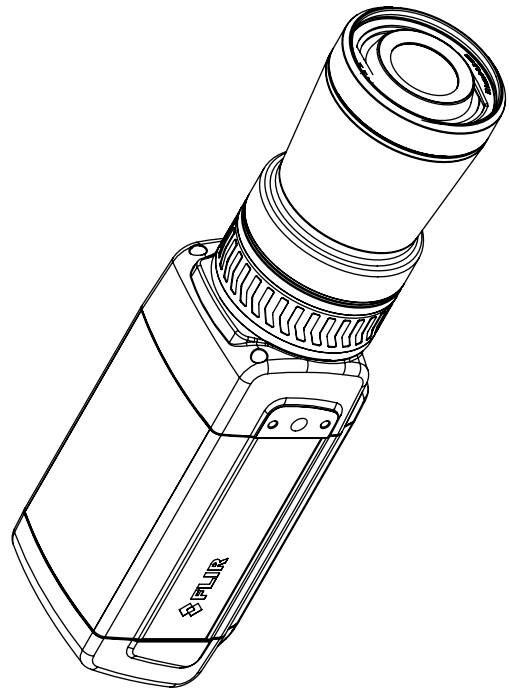
# Camera with Lens IR f=6,5 mm (80°)



For additional dimensions see page 1

|  |               |                              |                        |
|--|---------------|------------------------------|------------------------|
| Modified<br>2012-04-19                     | Check<br>CAHA | Drawn by<br>R&D Thermography | FLIR®                  |
| Denomination<br>Basic dimensions FLIR T6xx |               |                              | Size<br>A3             |
|  |               |                              | Scale<br>1:2           |
|  |               |                              | Sheet<br>2(9)          |
|  |               |                              | Drawing No.<br>T127424 |
|  |               |                              | Size<br>A              |

# Camera with Lens IR f=6,5 mm (80°)



For additional dimensions see page 1

|  |               |                              |                        |  |               |
|--|---------------|------------------------------|------------------------|--|---------------|
| Modified<br>2012-04-18                         | Check<br>CAHA | Drawn by<br>R&D Thermography | Size<br>A3             |  | Sheet<br>2(9) |
| Denomination<br>Basic dimensions FLIR A/SC 6xx |               |                              | Scale<br>1:2           |  |               |
|  |               |                              | Drawing No.<br>T126925 |  |               |

© 2012, FLIR Systems, Inc. All rights reserved worldwide. No part of this drawing may be reproduced, stored in a retrieval system, or transmitted in any form, or by any means, electronic, mechanical, photocopying, recording, or otherwise, without written permission from FLIR Systems, Inc. Specifications subject to change without further notice. Dimensional data is based on nominal values. Products may be subject to regional market considerations. License procedures may apply. Product may be subject to US Export Regulations. Please refer to exportquestions@flir.com with any questions. Diversion contrary to US law is prohibited.