

PVA Pick-to-Light Array



Light screen for error-proofing of bin-picking operations



- Compact package, available in 4 lengths to fit many sizes and configurations of existing parts bins
- Range up to 2 m (6.5 ft)
- Two-component system (asynchronous emitter and receiver) needs no sync wire or controller box.
- Emitters and receivers sold separately or in pairs for easy ordering.
- Two LEDs on each emitter and receiver indicate proper setup and system errors.
- Clearly visible green job indicator lights mounted on either side of emitter and receiver housings; the light can be remotely controlled to initiate user action with a solid ON or blinking condition
- Two frequency settings to prevent crosstalk in close-proximity, multiple-array installations
- Easy DIP-switch selection of light/dark operate, solid/flashing job light, A/B frequency, and gate polarity for activating the job light indicator.
- Choose 2 m (6.5 ft) unterminated cable or 2 m (6.5 ft) cable with 4-pin Euro-style quick-disconnect connector.
- PNP or NPN receiver output, depending on model
- 12 to 30V dc operation
- Minimum resolution 35 mm (1.4 in)
- Wide beam pattern for easy alignment
- Heavy-duty protective brackets available



WARNING: Not To Be Used for Personnel Protection

Never use this device as a sensing device for personnel protection. Doing so could lead to serious injury or death. This device does not include the self-checking redundant circuitry necessary to allow its use in personnel safety applications. A sensor failure or malfunction can cause either an energized or de-energized sensor output condition.

Models

| Model ¹ | Description | Array Length / # Beams | Job Light Input ² | Receiver Output |
|--------------------|-----------------------|-----------------------------|------------------------------|-----------------|
| PVA100N6 | Emitter/Receiver Pair | 100 mm (4 in) Long, 5 Beams | 0V dc | NPN (Sinking) |
| PVA100N6E | Emitter | | | |
| PVA100N6R | Receiver | | | |
| PVA100P6 | Emitter/Receiver Pair | | +5 to 30V dc | PNP (Sourcing) |
| PVA100P6E | Emitter | | | |
| PVA100P6R | Receiver | | | |



NOTE: Additional models on the next page.

¹ Only cabled models (2 m (6.5 ft) unterminated integral cable) are listed. For 2 m (6.5 ft) pigtail with Euro-style Quick-disconnect fitting, add "Q" to the model number (for example, PVA100N6Q).

² See [Configuration](#) on page 5

| Model ³ | Description | Array Length / # Beams | Job Light Input ⁴ | Receiver Output |
|--------------------|-----------------------|-------------------------------|------------------------------|-----------------|
| PVA225N6 | Emitter/Receiver Pair | 225 mm (9 in) Long, 5 Beams | 0V dc | NPN (Sinking) |
| PVA225N6E | Emitter | | | |
| PVA225N6R | Receiver | | | |
| PVA225P6 | Emitter/Receiver Pair | | +5 to 30V dc | PNP (Sourcing) |
| PVA225P6E | Emitter | | | |
| PVA225P6R | Receiver | | | |
| PVA300N6 | Emitter/Receiver Pair | 300 mm (12 in) Long, 13 Beams | 0V dc | NPN (Sinking) |
| PVA300N6E | Emitter | | | |
| PVA300N6R | Receiver | | | |
| PVA300P6 | Emitter/Receiver Pair | | +5 to 30V dc | PNP (Sourcing) |
| PVA300P6E | Emitter | | | |
| PVA300P6R | Receiver | | | |
| PVA375N6 | Emitter/Receiver Pair | 375 mm (15 in) Long, 16 Beams | 0V dc | NPN (Sinking) |
| PVA375N6E | Emitter | | | |
| PVA375N6R | Receiver | | | |
| PVA375P6 | Emitter/Receiver Pair | | +5 to 30V dc | PNP (Sourcing) |
| PVA375P6E | Emitter | | | |
| PVA375P6R | Receiver | | | |



NOTE: Cable diameter is 3.3 mm (0.13 in) on all models.

Overview

The PVA Series Parts Verification Array is a simple, easy-to-use light screen suited to many part assembly and object detection applications.

The PVA has two components: an emitter and a receiver. The receiver's solid-state output interfaces to a system controller, which is pre-programmed by a supervisor for a specific sequence of tasks. Mounted so that the beams stretch across each bin in an assembler's work station, the PVA then signals the assembler (by means of easy-to-see job lights) which bins contain items to be picked in a given operation and in what order they should be picked.

As the assembler reaches into each bin, the system senses if the correct part has been taken, then signals the next bin in the sequence. The system may be wired to signal an alarm for the assembler and/or a supervisor in the event an incorrect part is selected.

The major benefit of a PVA-driven system is increased efficiency, due to simplified job training, increased quality control (no skipped components), and reduced rework and inspections. The PVA speeds the resumption of work after breaks and other distractions. And it is ideal for multilingual workplaces where communication may be an issue.

³ Only cabled models (2 m (6.5 ft) unterminated integral cable) are listed. For 2 m (6.5 ft) pigtail with Euro-style Quick-disconnect fitting, add "Q" to the model number (for example, PVA100N6Q).

⁴ See [Configuration](#) on page 5

Installation

Multiple sensor pairs located farther than the sensor's effective maximum range (approximately 2 m or 6.5 ft) from one another are unlikely to cause crosstalk problems. However, when multiple sensor pairs are mounted in a confined area, take care to avoid crosstalk between them. To avoid crosstalk:

- Alternate the relative position of adjacent emitter/receiver pairs.
- Alternate the Frequency configuration of adjacent pairs.

Mount emitter and receiver pairs parallel, with both cable ends pointing the same direction.

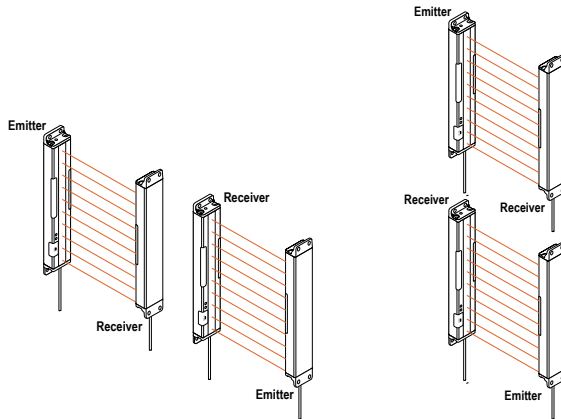


Figure 1. Example—Correct Positions

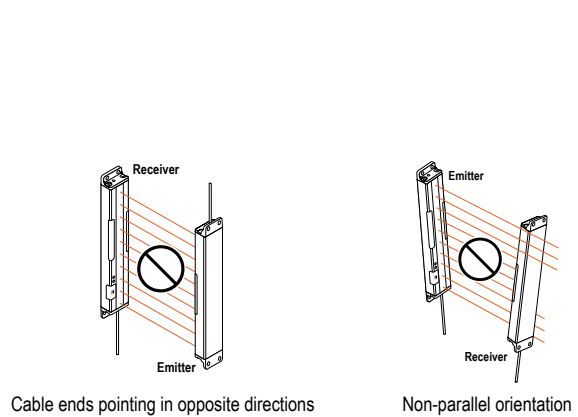


Figure 2. Example—Incorrect Positions

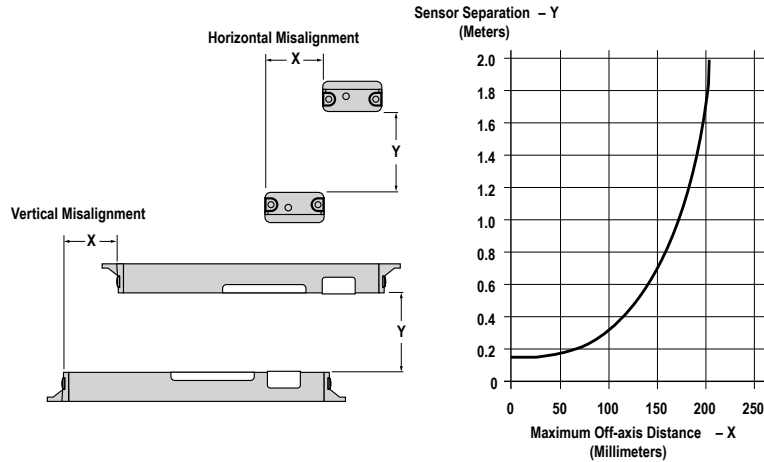


Figure 3. Maximum Off-Axis Misalignment

Mounting

The wide beam pattern of PVA emitters and receivers simplifies their alignment. M4 stainless steel fasteners and two stainless steel brackets are included with each sensor.

Mount each emitter and its corresponding receiver parallel to one another in the same plane, with their cable ends pointing the same direction, and their tops and bottoms aligned.

1. From a common point of reference, make measurements to locate the emitter and receiver in the same plane with their midpoints directly opposite each other.
2. Mount the included brackets to the top and bottom of each sensor, as shown.
3. Mount the emitter and receiver in their brackets, being careful to position the red lenses of the two units directly facing each other. (Remember, the cable ends of both sensors must point in the same direction to ensure proper sensing.)
4. Measure from one or more reference planes (for example, the building or bin floor) to the same point(s) on the emitter and receiver to verify their mechanical alignment. (If the sensors are mounted exactly vertical or horizontal, a carpenter's level may be helpful. A straightedge or a string extended between the sensors may also be helpful.)
5. Also check "by eye" for line-of-sight alignment.
6. Make any necessary final mechanical adjustments, and hand-tighten the bracket hardware.
7. After the electrical hookup is complete, check for beam alignment. If necessary, re-align the emitter and receiver at that time.

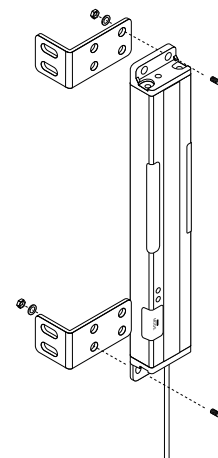
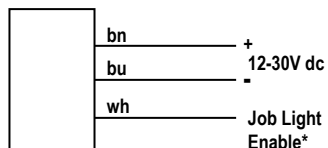


Figure 4. PVA Mounting Hardware

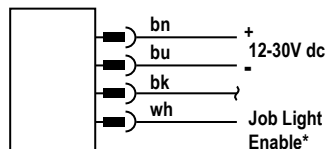
Hookups

All models feature integral 2 m (6.5 ft) long, 3.3 mm (0.13 inch) dia. PVC-jacketed cables. Models whose model numbers end in "Q" are terminated with quick-disconnect (QD) Euro-style 4-pin connectors; other models have unterminated ends.

Emitter with Unterminated Cable

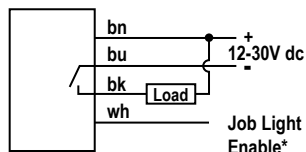


Emitter with 4-Pin Euro QD

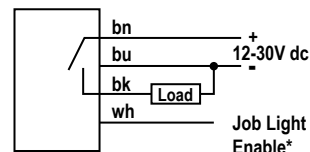


Receiver with NPN (Sinking) Output

Wiring is functionally identical for cabled and quick-disconnect receiver models.



Receiver with PNP (Sourcing) Output



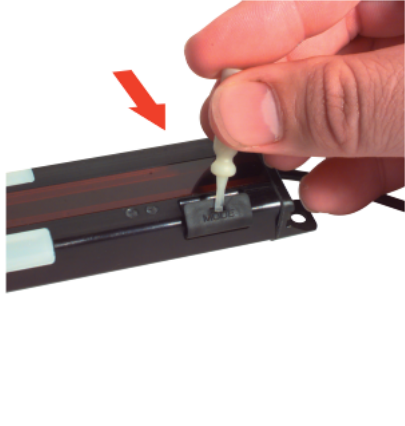


* See [Configuration](#) on page 5 for job light enable input requirements.



NOTE: Blue wire (dc common) is internally connected to emitter and receiver housings.

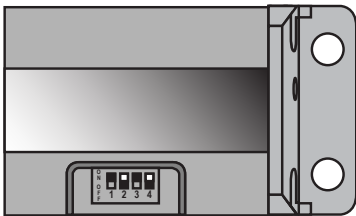
Configuration

PVA configuration is accomplished using the DIP switches on the emitter and receiver as shown. When setting the DIP switches, use the supplied plastic screwdriver to avoid damaging the switches or causing a short circuit.

| Cover Removal | Cover Replacement | |
|--|---|---|
|  |  |  |
| <p>Insert a fingernail or small screwdriver into the slot; apply gentle pressure, angling away from the sensor lens. The cover will remain tethered to the sensor housing.</p> | <p>To replace the switch cover, align one edge of the cover with the edge of the sensor housing opening. Then press the front corners into place.</p> | |

The switches determine four status operating modes:

- A/B frequency (to avoid crosstalk from multiple pairs of sensors)
- Light/dark operate
- Solid/flashing job light (depending on assembler and/or supervisor preference)
- Gate polarity

| PVA Configuration DIP Switch Settings | | | |
|--|----------------|---|---|
| *default settings | Switch | Emitter | Receiver |
|  <p>ON Example Shown: ↑ Switch #1 OFF Switch #2 ON ↓ Switch #3 OFF OFF Switch #4 ON</p> <p>Figure 5. Configuration DIP switch setting positions</p> | 1 ⁵ | *ON = Frequency A OFF = Frequency B | *ON = Frequency A OFF = Frequency B |
| | 2 | No function | ON = Light operate *OFF = Dark operate |
| | 3 | *ON = Job light steady OFF = Job light flashes | *ON = Job light steady OFF = Job light flashes |
| | 4 | <p>Job light control input: connect the white wire of the emitter and receiver as follows:</p> <p>Models PVA...P6 ON = Job light ON for +5 to 30V dc (27K input impedance) *OFF = Job light ON for 0 to 2V dc/open circuit</p> <p>Models PVA...N6 ON = Job light ON for +5 to 30V dc/open circuit *OFF = Job light ON for 0 to 2V dc (10K input impedance)</p> | |

⁵ Both emitter and receiver must be set to the same frequency in order to operate.

Status Indicators/Troubleshooting

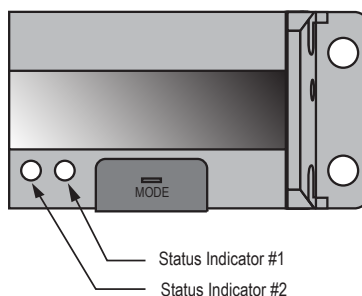


Figure 6. Status indicators

| Emitter Indicator | Condition | Description |
|-------------------|-----------------------|--|
| #1 | OFF | Frequency A selected (Emitter/Receiver Switch #1 both ON) |
| | Steady Red | Frequency B selected (Emitter/Receiver Switch #1 both OFF) |
| #2 | Steady Green | Power is ON and system is OK |
| | OFF | Power is OFF |
| | Flashing Green 2x/sec | Emitter Failure (remove and reapply power) |

| Receiver Indicator | Condition | Description |
|--------------------|-----------------------|--|
| #1 | Steady Yellow | Output is active (change Switch #2 to Light Operate to turn the yellow indicator ON when the system is clear) |
| | OFF | Output is inactive (change Switch #2 to Dark Operate to turn the yellow indicator ON when the system is blocked) |
| #2 | Steady Green | Power is ON and system is OK |
| | OFF | Power is OFF |
| | Flashing Green 1x/sec | Receiver Failure (remove and reapply power) |

Specifications

Supply Voltage and Current

12 to 30V dc (10% max. ripple) at less than 62 mA for the emitter and 50 mA for the receiver (exclusive of load)

Supply Protection Circuitry

Protected against reverse polarity

Sensing Range

2 m (6.5 ft) with 2x excess gain remaining

Sensing Height

100 mm (3.9 in), 225 mm (8.9 in), 300 mm (11.8 in), or 375 mm (14.8 in), depending on emitter and receiver models

Beam Spacing

25.0 mm (0.98 in)

Sensing Resolution

35 mm (1.4 in) minimum diameter

Output Configuration

Receivers have one solid-state dc output, programmable for light or dark operate:

Models PVA...N6R have current sinking (NPN) open-collector transistor

Models PVA...P6R have current sourcing (PNP) open-collector transistor

Output Rating

150 mA maximum

OFF-state leakage current: less than 2 microamps

ON-state saturation voltage: less than 1V dc at 10 mA and less than 1.5V dc at 100 mA

Output Protection

Protected against false pulse on power-up and continuous overload or short circuit of output

Status Indicators

Emitter: Green—power ON/OFF; Red—frequency selected

Receiver: Green—power ON/OFF; Yellow—output state

Emitter and Receiver: Two highly visible job lights turn ON and OFF in response to an external signal to the white wire. Job lights may be configured for steady or flashing green.

Construction

Black painted aluminum housing; acrylic lenses; PBT end caps; thermoplastic elastomer programming switch cover; stainless steel mounting brackets and hardware

Connections

Emitter: 3-conductor PVC-jacketed 2 m (6.5 ft) cable which is either unterminated or terminated with a 4-pin Euro-style quick-disconnect connector, depending on model. Cable diameter is 3.3 mm (0.13 in).

Receiver: 4-conductor PVC-jacketed 2 m (6.5 ft) cable which is either unterminated or terminated with a 4-pin Euro-style quick-disconnect connector, depending on model. Cable diameter is 3.3 mm (0.13 in).

Environmental Rating

NEMA 2; IEC IP62

Operating Temperature

0 °C to +50 °C (+32 °F +122 °F)

Maximum Off-axis Misalignment

See [Figure 3. Maximum Off-Axis Misalignment](#) on page 3

Certifications

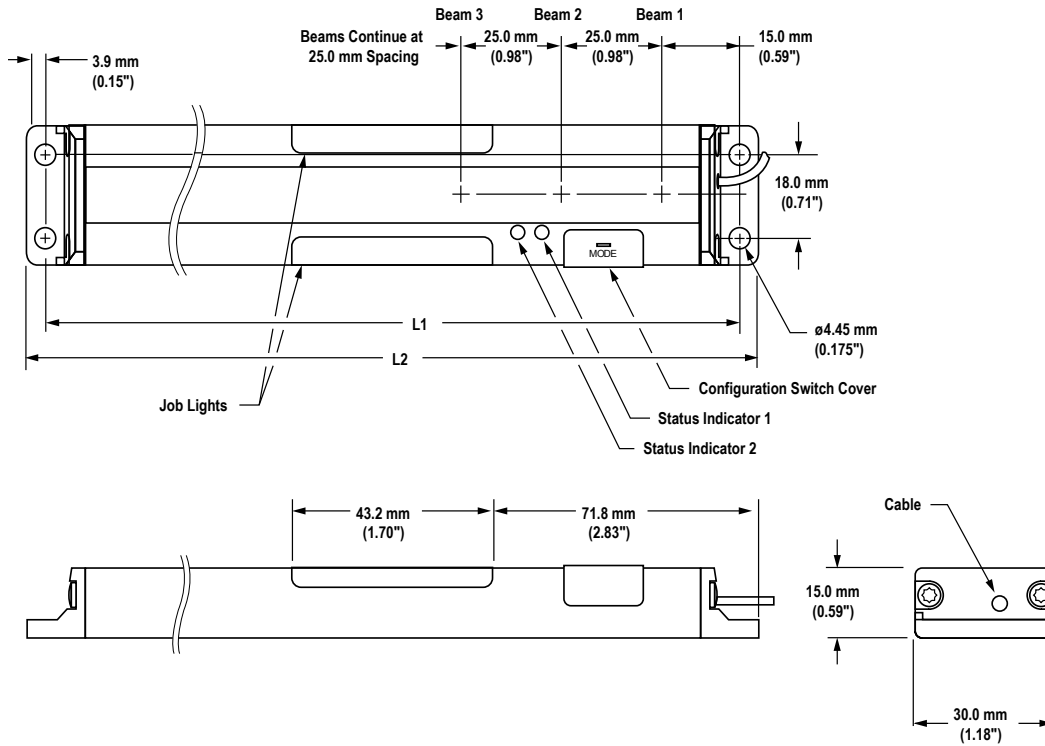


Output Response Time

| Sensor Size | Standard | With Crosstalk from Adjacent Units |
|-------------|----------|------------------------------------|
| 100 mm | 20 ms | 30 ms |
| 225 mm | 40 ms | 60 ms |
| 300 mm | 52 ms | 78 ms |
| 375 mm | 64 ms | 96 ms |

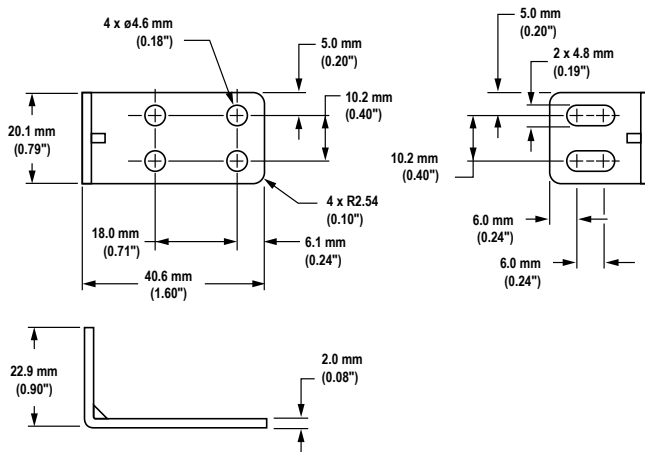
Dimensions

Emitter and Receiver



| Model | Number of Beams | L ₁ | L ₂ |
|----------|-----------------|---------------------|---------------------|
| PVA100.. | 5 | 130.0 mm (5.12 in) | 137.8 mm (5.43 in) |
| PVA225.. | 10 | 258.5 mm (10.18 in) | 266.4 mm (10.49 in) |
| PVA300.. | 13 | 333.5 mm (13.13 in) | 341.4 mm (13.44 in) |
| PVA375.. | 16 | 408.5 mm (16.09 in) | 416.6 mm (16.40 in) |

SMBPVA1 Standard Bracket (2 Included with PVA)



Hardware Included with Each Sensor (kit part number 50532)

| Qty | Description |
|-----|---|
| 4 | Stainless steel Phillips panhead machine screws (M4 x 0.7 x 12) |
| 4 | Stainless steel hex nuts (M4 x 0.7) |
| 4 | Stainless steel lock washers (M4 x 0.7) |
| 1 | Plastic screwdriver (3.6 cm/1.4 in long) |

Accessories

Cordsets

| 4-Pin Threaded M12/Euro-Style Cordsets | | | | |
|--|----------------|----------|------------|---|
| Model | Length | Style | Dimensions | Pinout |
| MQDC-406 | 1.83 m (6 ft) | Straight | | <p>1 = Brown 2 = White 3 = Blue 4 = Black</p> |
| MQDC-415 | 4.57 m (15 ft) | | | |
| MQDC-430 | 9.14 m (30 ft) | | | |
| MQDC-450 | 15.2 m (50 ft) | | | |

Brackets



NOTE: Standard SMBPVA1 mounting brackets are included with each PVA System. The following brackets are in addition to the standard brackets.

SMBPVA2

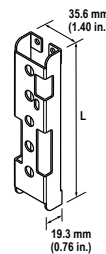
- Set of 4 molded brackets
- Snaps onto standard 28 mm diameter pipe
- 2 required per sensor



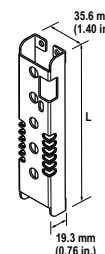
SMBPVA.., SMBPVA..A, SMBPVA..AB

- Protects sensor from impact
- Provides DIP-switch and/or indicator light exposure (depending on model)
- Heavy-duty cold-rolled steel-zinc finish

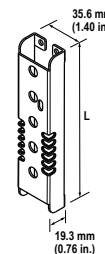
SMBPVA..



SMBPVA..A



SMBPVA..AB



| Models | DIP Switch Access | Light Protected | Length (L) | Used With |
|------------|-------------------|-----------------|------------|-----------|
| SMBPVA5 | Yes | No | 139.7 mm | PVA100 |
| SMBPVA5A | Yes | Yes | | |
| SMBPVA5AB | No | Yes | | |
| SMBPVA10 | Yes | No | 268.2 mm | PVA225 |
| SMBPVA10A | Yes | Yes | | |
| SMBPVA10AB | No | Yes | | |

| Models | DIP Switch Access | Light Protected | Length (L) | Used With |
|------------|-------------------|-----------------|------------|-----------|
| SMBPVA13 | Yes | No | 343.3 mm | PVA300 |
| SMBPVA13A | Yes | Yes | | |
| SMBPVA13AB | No | Yes | | |
| SMBPVA16 | Yes | No | 418.2 mm | PVA375 |
| SMBPVA16A | Yes | Yes | | |
| SMBPVA16AB | No | Yes | | |

Banner Engineering Corp Limited Warranty

Banner Engineering Corp. warrants its products to be free from defects in material and workmanship for one year following the date of shipment. Banner Engineering Corp. will repair or replace, free of charge, any product of its manufacture which, at the time it is returned to the factory, is found to have been defective during the warranty period. This warranty does not cover damage or liability for misuse, abuse, or the improper application or installation of the Banner product.

THIS LIMITED WARRANTY IS EXCLUSIVE AND IN LIEU OF ALL OTHER WARRANTIES WHETHER EXPRESS OR IMPLIED (INCLUDING, WITHOUT LIMITATION, ANY WARRANTY OF MERCHANTABILITY OR FITNESS FOR A PARTICULAR PURPOSE), AND WHETHER ARISING UNDER COURSE OF PERFORMANCE, COURSE OF DEALING OR TRADE USAGE.

This Warranty is exclusive and limited to repair or, at the discretion of Banner Engineering Corp., replacement. **IN NO EVENT SHALL BANNER ENGINEERING CORP. BE LIABLE TO BUYER OR ANY OTHER PERSON OR ENTITY FOR ANY EXTRA COSTS, EXPENSES, LOSSES, LOSS OF PROFITS, OR ANY INCIDENTAL, CONSEQUENTIAL OR SPECIAL DAMAGES RESULTING FROM ANY PRODUCT DEFECT OR FROM THE USE OR INABILITY TO USE THE PRODUCT, WHETHER ARISING IN CONTRACT OR WARRANTY, STATUTE, TORT, STRICT LIABILITY, NEGLIGENCE, OR OTHERWISE.**

Banner Engineering Corp. reserves the right to change, modify or improve the design of the product without assuming any obligations or liabilities relating to any product previously manufactured by Banner Engineering Corp.