

### 1. Introduction

The AU1014 is the distribution module for Single Source Unity Systems and is preferred for all Single Source Systems that require audio interrupt. It supports up to four keypads (zones). For more than four keypads, is expandable through the use of AU7396 modules (see **Figure 3**).

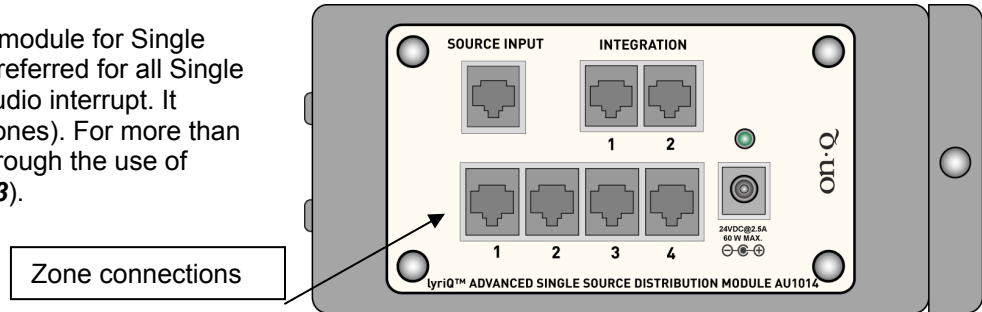


Figure 1

### 2. Description

- Distributes audio from one analog source. When connected to a Unity System, it will stream digital audio from the Integration Module\*.
- Located in the structured wiring panel. Uses Category 5 wire to connect from the lyriQ™ Single Source Inputs to the lyriQ™ Keypads.
- Supports audio interrupt when used with an On-Q Intercom System.

**The AU1014 is compatible with the following components from On-Q/Legrand:**

- Keypads:** Use **AU7394-xx** lyriQ™ Keypad, or **AU1000-xx** lyriQ™ High Performance Keypad, or **AU5009-xx** lyriQ™ Keypad in Studio Design, or **AU5010-xx** lyriQ™ High Performance Keypad in Studio Design (**Note: lyriQ™ F7399-xx Knob-style volume controls are not supported**).
- Source Inputs:** Use **AU7398** lyriQ™ Single Source Input or **AU1004-xx** lyriQ™ Flush Mount Single Source Input (provides one source of music to be distributed to keypads).
- Local Source Inputs:** Use **AU5008-xx** lyriQ™ Local Source Input in Studio Design (optional, installed between module and keypad for music in one room).
- Single Source System Expansion:** Use **AU7396** lyriQ™ Single Source, 4-Zone Distribution Module (optional, for more than four keypads, 16 maximum keypads).
- Power:** Use **PW1060** 24VDC 60W Power Supply (one power supply per Single Source Module).

### 3. Installation

Installation of the On-Q/Legrand AU1014 and related components is best accomplished at multiple times during new construction, at “Rough-in” before the drywall is installed, and at “Trim-out” after the drywall is installed and painted.

**IMPORTANT: Read the manuals that are included with all associated lyriQ™ Audio products before installation of any single component. If you are unsure of any of the following installation procedures contact On-Q/Legrand Technical Support @ 1-800-321-2343 option 1 or contact an On-Q/Legrand installer.**

A. "Rough-in" steps:

1. AU7398 or AU1004-xx: Run a Category 5 cable (optionally two for future upgrades) from the Single Source Input location to the enclosure housing the AU1014.
2. AU5009-xx: Run a Category 5 cable (and optional 16/4 speaker cable for future upgrade) from each keypad to the enclosure housing the AU1014.
3. AU5010-xx: Run a Category 5 cable and 16/4 speaker cable from each keypad to the enclosure housing the AU1014.

B. "Trim-out" steps:

**NOTE: Make sure that the Power Supply is not connected to the Distribution Module.**

1. Install the AU1014 in the enclosure by first attaching it to the included bracket using the four corner plungers. Then insert the bracket tabs into the slots on the left of the enclosure and use the bracket push-pin to secure the AU1014 to the enclosure.
2. Terminate all Category 5 cables with RJ-45 plugs using the T568A wiring standard.
3. Connect the RJ-45 jack on the Single Source Input via Category 5 cable to the RJ-45 jack on the SOURCE INPUT of the AU1014 (see **Figure 2**).

For systems with up to four keypads that will not be connected to the Integration Module\*

Connect the RJ-45 from each lyriQ™ Keypad via Category 5 cable to the RJ-45 zone connections on the AU1014 (see **Figure 2**).

To expand the system beyond four lyriQ™ keypads (with or without Integration Module\* connection)  
Connect AU7396 lyriQ™ Single Source, 4-Zone Distribution Modules to the AU1014 by connecting a Category 5 jumper cable from any zone connection on the AU1014 to the SOURCE IN jack on the AU7396 Module (see **Figure 3**).

To connect AU1014 to Integration Module\*

Connect AU1014 Integration ports 1 & 2 to the Audio Ports on the Integration module via Category 5 jumper cables.

**NOTE: For Unity Systems expanded beyond four keypads: Keypads MUST be configured for grouping by using installer setting. See instructions included with lyriQ™ Keypads AU5009-xx and AU5010-xx.**

4. Plug the 24 volt power supply cable into the power jack on the lyriQ™ Distribution Module/s.
5. Verify system functionality.

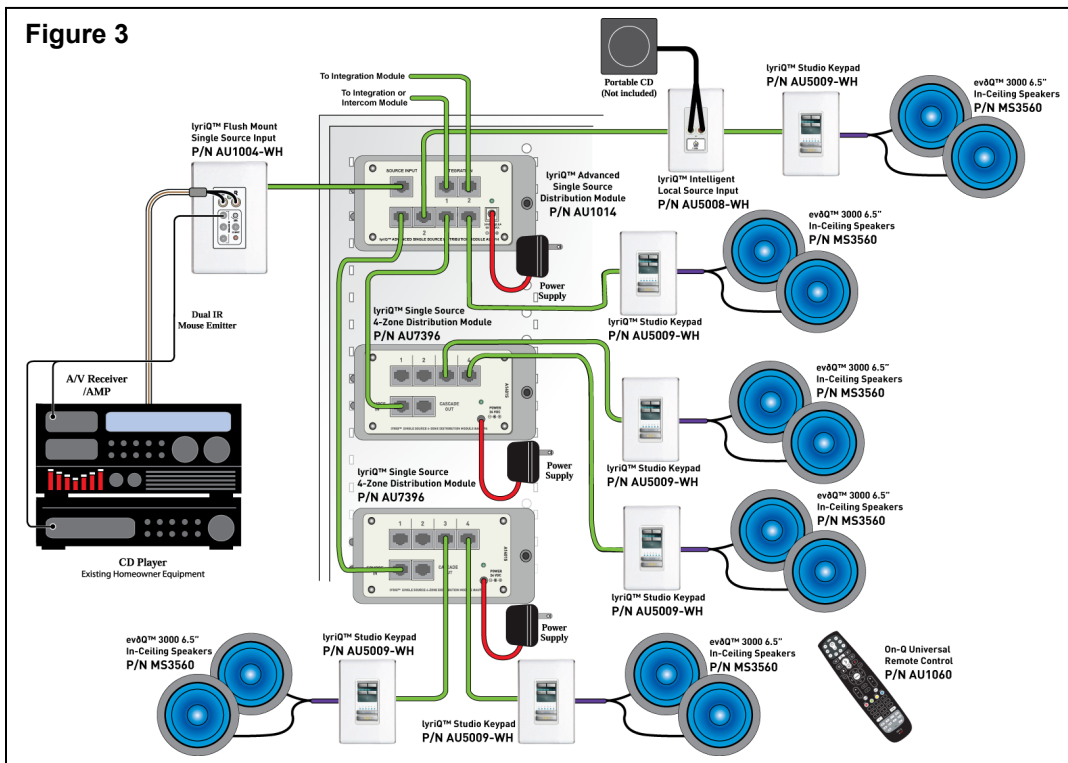
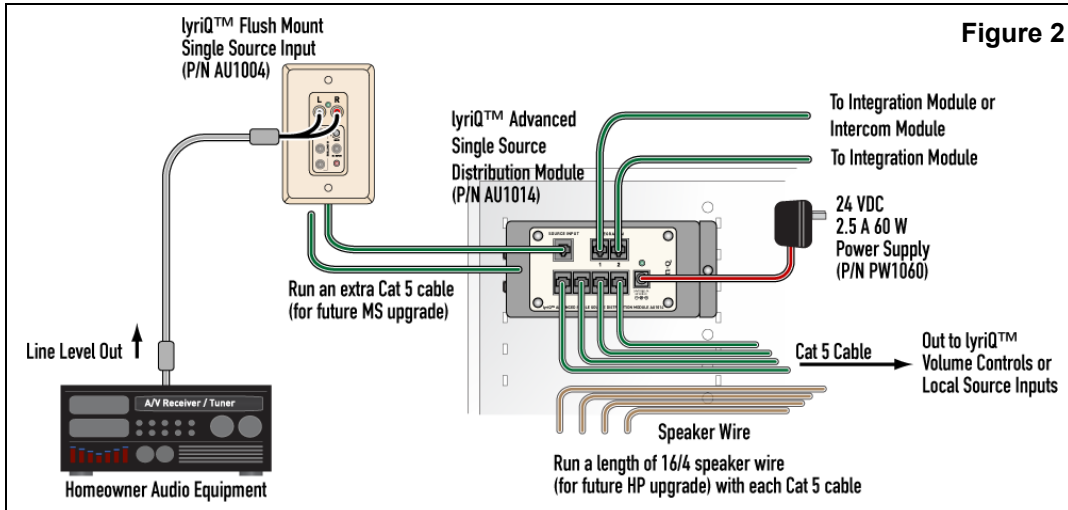
\*The Integration Module (HA6001) supports lyriQ™ in the Studio design only. See HA6001 instruction sheet for detailed information about digital music.

# INSTRUCTION / INSTALLATION SHEET

## lyriQ™ Advanced Single Source Distribution Module (P/N AU1014)

301 Fulling Mill Road, Suite G  
 Middletown, PA 17057  
 Phone (800) 321-2343 / Fax (717) 702-2546  
 www.onqlegrand.com

IS-0431 Rev. A



### Federal Communications Commission Statement

This device complies with Part 15 of the FCC Rules. Operation is subject to the following two conditions:

- This device may not cause harmful interference, and
- This device must accept any interference received, including interference that may cause undesired operation.