

M50MLTLC3M

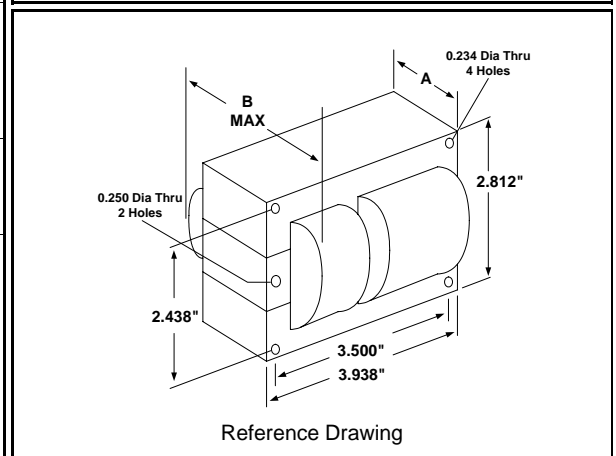
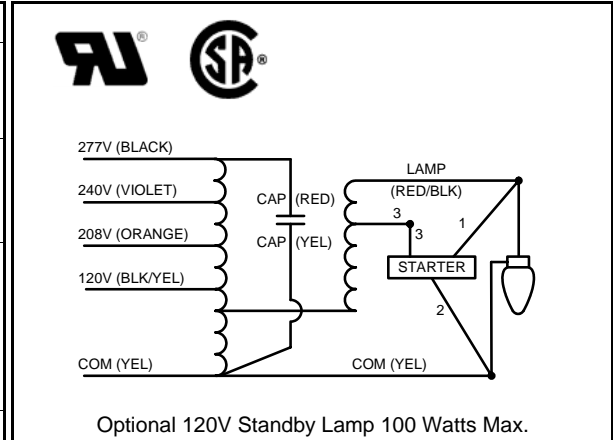
50W M110

Metal Halide

60Hz HX-HPF

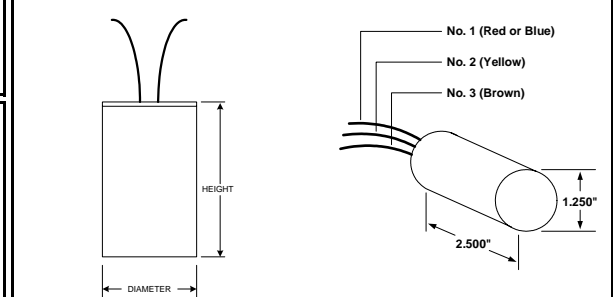
Specification Sheet

Input Volts	120	208	240	277
Regulation				
Line Volts	±5%	±5%	±5%	±5%
Lamp Watts	±10%	±10%	±10%	±10%
Power Factor (min)	90%	90%	90%	90%
Input Watts	65 W	65 W	65 W	65 W
NOM. Open Circuit Voltage	255 V	255 V	255 V	255 V
Line Current (Amps)				
Operating	0.55	0.30	0.27	0.24
Open Circuit	1.25	0.70	0.60	0.55
Starting	0.50	0.30	0.25	0.20
Recommended Fuse (Amps)	3	3	2	2
Lamp Dropout Voltage (Line)	85 V	150 V	170 V	195 V
UL Temperature Ratings				
Insulation Class	H (180°C)	H (180°C)	H (180°C)	H (180°C)
Temperature Code	A	A	A	A
MIN. Starting Temperature	-22°F -30°C	-22°F -30°C	-22°F -30°C	-22°F -30°C
CAPACITOR Specifications				
Microfarads	6 uf	6 uf	6 uf	6 uf
Volts (min.)	280 V	280 V	280 V	280 V
60Hz Test Procedures				
High Potential Test 1 Minute	2000 V	2000 V	2000 V	2000 V
High Potential Test 1 Second	2500 V	2500 V	2500 V	2500 V
Secondary Open Ckt Voltage (V)	225 - 285	225 - 285	225 - 285	225 - 285
Secondary Current Shorted (A)	0.65 - 0.90	0.65 - 0.90	0.65 - 0.90	0.65 - 0.90
Input Operating Current (A)	0.45 - 0.65	0.25 - 0.35	0.22 - 0.32	0.20 - 0.30
Input Open Circuit Current (A)	0.60 - 1.80	0.35 - 1.05	0.30 - 0.90	0.25 - 0.80
Input Short Circuit Current (A)	0.27 - 0.45	0.14 - 0.24	0.13 - 0.23	0.11 - 0.21
Core and Coil Specifications				
Dimension A	1.05 in	1.05 in	1.05 in	1.05 in
Dimension B	2.40 in	2.40 in	2.40 in	2.40 in
Weight	3.6 lbs	3.6 lbs	3.6 lbs	3.6 lbs
Lead Lengths (inches)	12-14	12-14	12-14	12-14
Coil Material (Pri. / Sec.):	Cu / Cu	Cu / Cu	Cu / Cu	Cu / Cu



Capacitor: R17058514 **Ignitor: MH100-3A**

Max Case Temp: 100 °C Max Case Temp 105 °C
 Height: 2.83 in BTL: 10 ft
 Width / Diameter: 1.26 in



Oil Cap. - P/N 005-1561-MF Consult Catalog for Specs.

Document #:	010-13387-00
Date:	9/12/2010
Status:	Production
Replaces Catalog #:	11310-95

Data is based upon tests performed by Universal Lighting Technologies in a controlled environment and is representative of relative performance. Actual performance may vary depending on operating conditions. Specifications are subject to change without notice.