

S70MLTLC3M

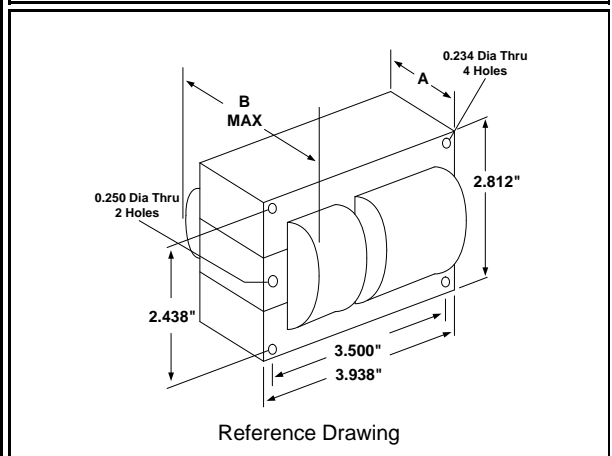
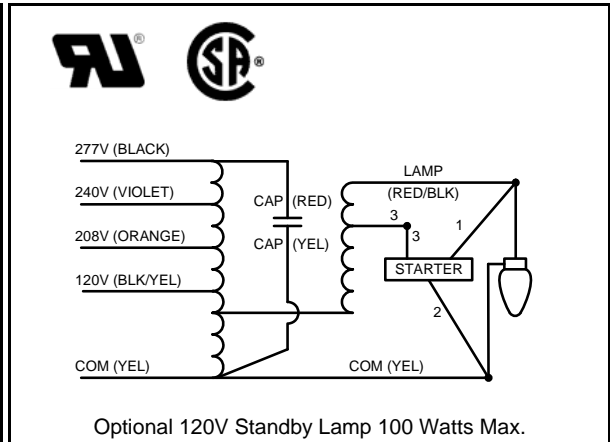
70W S62

High Pressure Sodium

60Hz HX-HPF

Specification Sheet

Input Volts	120	208	240	277
Regulation				
Line Volts	±5%	±5%	±5%	±5%
Lamp Watts	±10%	±10%	±10%	±10%
Power Factor (min)	90%	90%	90%	90%
Input Watts	98 W	98 W	98 W	98 W
NOM. Open Circuit Voltage	120 V	120 V	120 V	120 V
Line Current (Amps)				
Operating	0.85	0.52	0.45	0.38
Open Circuit	1.45	0.85	0.75	0.65
Starting	0.90	0.50	0.44	0.35
Recommended Fuse (Amps)	5	3	3	2
Lamp Dropout Voltage (Line)	90 V	155 V	180 V	208 V
UL Temperature Ratings				
Insulation Class	H (180°C)	H (180°C)	H (180°C)	H (180°C)
Temperature Code	B	B	B	B
MIN. Starting Temperature	-40°F -40°C	-40°F -40°C	-40°F -40°C	-40°F -40°C
CAPACITOR Specifications				
Microfarads	7 uf	7 uf	7 uf	7 uf
Volts (min.)	280 V	280 V	280 V	280 V
60Hz Test Procedures				
High Potential Test 1 Minute	2000 V	2000 V	2000 V	2000 V
High Potential Test 1 Second	2500 V	2500 V	2500 V	2500 V
Secondary Open Ckt Voltage (V)	108 - 132	108 - 132	108 - 132	108 - 132
Secondary Current Shorted (A)	1.90 - 2.80	1.90 - 2.80	1.90 - 2.80	1.90 - 2.80
Input Operating Current (A)	0.77 - 0.91	0.44 - 0.56	0.37 - 0.46	0.33 - 0.43
Input Open Circuit Current (A)	0.75 - 2.20	0.44 - 1.30	0.38 - 1.20	0.33 - 1.00
Input Short Circuit Current (A)	0.55 - 1.15	0.30 - 0.65	0.25 - 0.60	0.20 - 0.55
Core and Coil Specifications				
Dimension A	1.38 in	1.38 in	1.38 in	1.38 in
Dimension B	2.74 in	2.74 in	2.74 in	2.74 in
Weight	4.10 lbs	4.10 lbs	4.10 lbs	4.10 lbs
Lead Lengths (inches)	12-14	12-14	12-14	12-14
Coil Material (Pri. / Sec.):	Al / Al	Al / Al	Al / Al	Al / Al



Capacitor: R17058515	Ignitor: HPS150-3A
Max Case Temp: 100 °C	Max Case Temp 105 °C
Height: 2.83 in	BTL: 10 ft
Width / Diameter: 1.65 in	

Oil Cap. - P/N 005-1410-MF Consult Catalog for Specs.

Document #:	010-9651-10
Date:	1/11/2018
Status:	Production
Replaces Catalog #:	12310-153

Data is based upon tests performed by Universal Lighting Technologies in a controlled environment and is representative of relative performance. Actual performance may vary depending on operating conditions. Specifications are subject to change without notice.