



AA Series Photocontrol

Thermal | Button Style, Wire-In

KEY FEATURES

- 3/4" long threaded nipple
- 30 - 45 second time delay
- UL and CSA Listed
- Durable polycarbonate housing
- 1800 and 1200 watt load rating
- Fail mode is ON

COMMON USES

- Decorative light fixtures
- Post lanterns
- Commercial and residential use
- Wall mount application

TE Connectivity's (TE) AA Series offers a unique button style design for internal post fixtures or mounting applications.

Innovative Design

TE's innovative design with the wire leads exiting from the rear allow the control to be placed in tight locations while positioning the wiring for easy access.

Durable Housing

The AA Series photocontrol is constructed of a high impact UV stabilized polycarbonate housing for superior quality.

Available Options

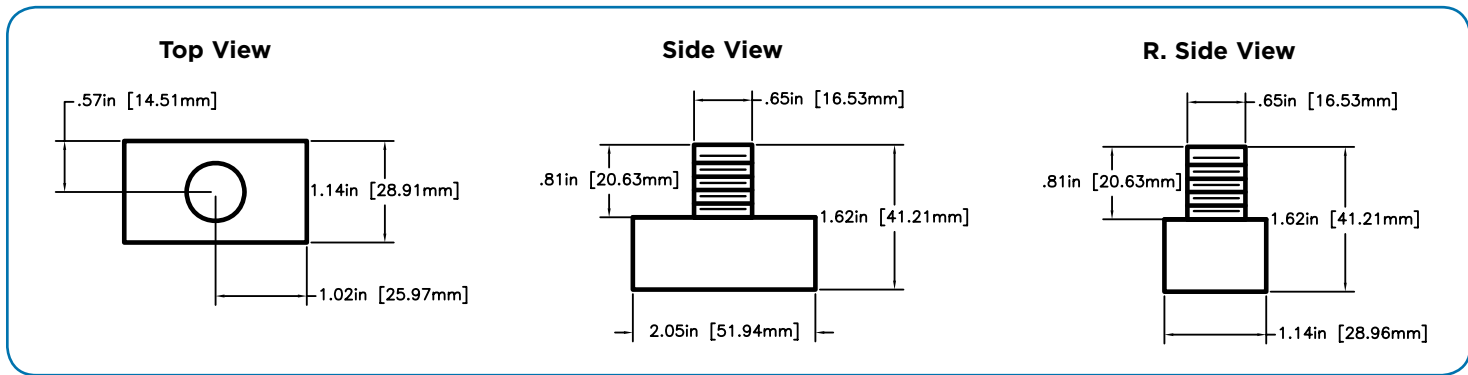
The 105W and 1068W controls include a brushed aluminum wall plate for installation in standard outlet boxes.

The 105M and 1068M are equipped with a 180 Joule Metal Oxide Varistor (MOV) and are designed to protect luminaries where transient voltage surges are a frequent and recurring problem.

The 105HA is a high ambient temperature photocontrol, designed specifically to last longer in today's hotter running HID luminaries. This unit incorporates insulation and heat sink to absorb the heat generated by the lamp and other components, significantly adding to the controls useful life.

TE's photocontrols can be used to safely control luminaries with incandescent, HID, LED, or compact fluorescent lamps.





Specifications

Physical	Dimensions: approx. 2.05" [51.94mm] dia. x 1.62" [41.21mm] high (Not including wiring)
	Enclosure: designed to meet ANSI C136.24, UL 773
	Power consumption: less than 0.9 watts at 120 VAC
Temperature	Minus 40°C to plus 65°C @ 96% RH
Control	Thermal State Switch Type
Load Rating	1800 Watt Tungsten 1100 VA ballast
Light Sensor	Cadmium Sulfide Cell

The AA Series is the result of over fifty years of experience designing and delivering superior photocontrols and other lighting accessories in the US and around the world.

Features

Switch	SPST thermal bi-metallic
Fail Mode	ON (contacts normally closed)
Switch Lifetime	Exceeds 5,000 ON/OFF operations
Housing	Polycarbonate with UV stabilized window
Lead Wires	6", #18 AWG, rated 105°C (AA controls) 15", #18 AWG, rated 105°C (AA-M controls) 6", #18 AWG, rated 150°C (AA-HA controls)
Nipple	3/8" pipe
Nut	3/8" pipe, thermoplastic
Light Sensor	1/2" Cadmium sulfide (Cds) cell

Product Selection Information

Model	Product Information	Rated Volts	Range (Volts)	Load Rating Tungsten (Watts)	Load Rating Ballast (VA)	Surge Protection (Joules)	Turn ON (Fc)	OFF/ON Ratio
AA-105		120	105 - 130	1800	1100		1.5	4 : 1
CPGI-ALR-AA-105		120	105 - 130	1800	1100		1.5	4 : 1
AA-105W	w/Wall Plate	120	105 - 130	1800	1100		1.5	4 : 1
CPGI-ALR-AA-105W	w/Wall Plate	120	105 - 130	1800	1100		1.5	4 : 1
AA-1068		208/240/277	185 - 305	1200	1100		1.5	4 : 1
AA-1068W	w/Wall Plate	208/240/277	185 - 305	1200	1100		1.5	4 : 1
AA-305		120	105 - 130	300	840		1.5	4 : 1
CPGI-ALR-AA-305		120	105 - 130	300	840		1.5	4 : 1
AA-105M	15" Leads	120	105 - 130	1800	1100	180	1.5	4 : 1
AA-1068M	15" Leads	208/240/277	185 - 305	1200	1100	180	1.5	4 : 1
AA-105HA	High Ambient	120	105 - 130	1800	1100		1.5	4 : 1

Note: 6" lead wires unless otherwise noted

TE Technical Support Center

USA:	+1 (800) 327-6996
Canada:	+1 (905) 475-6222
Mexico:	+52 (0) 55-1106-0800
Latin/S. America:	+54 (0) 11-4733-2200
UK:	+44 (0) 800-267666
France:	+33 (0) 1-3420-8686
Netherlands:	+31 (0) 73-6246-999
China:	+86 (0) 400-820-6015



energy.te.com

