



TL Series Photocontrol

Thermal | Slim Profile, Wire-In

KEY FEATURES

- Adjustable swivel base
- Thin line profile-perfect for tight spots
- UL Listed and CSA Certified
- Durable polycarbonate housing
- 30 - 45 second time delay
- Fail mode is ON

COMMON USES

- Between flood lights
- Tight applications
- Unaccommodating locations

TE Connectivity's (TE) TL Series provides a slim profile ideal for installation in compact areas. An adjustable swivel base design allows maximum installation flexibility.

Innovative Design

TE innovative cylindrical design will fit between twin flood lights and in other tight applications.

Durable Housing

The TL Series photocontrol is constructed of a high impact UV stabilized polycarbonate housing for superior quality.

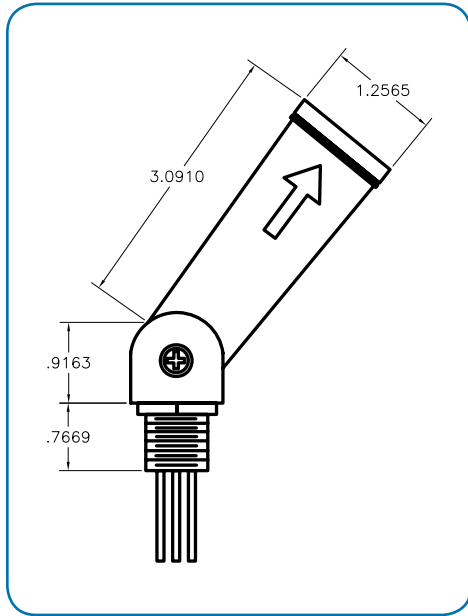
Key Benefits

Controls are equipped with a field adjustable swivel base that makes it easy to direct the photocell away from stray light.

The TL Series also has a heavy-duty bi-metal switch that provides a 30 - 45 second time delay virtually eliminating unwanted lamp cycling caused by lightning, car headlights, or other sudden changes in ambient light level.

TE's photocontrols can be used to safely control luminaries with incandescent, HID, LED, or compact fluorescent lamps.





The TL Series is the result of over fifty years of experience designing and delivering superior photocontrols and other lighting accessories in the US and around the world.

Features

Switch	SPST thermal bi-metallic
Fail Mode	ON (contacts normally closed)
Switch Lifetime	Exceeds 5,000 ON/OFF operations
Housing	Polycarbonate with UV stabilized window
Lead Wires	6", #18 AWG, rated 105°C
Nipple	1/2" pipe
Nut	1/2" pipe, die-cast

Product Selection Information

Model	Rated Volts	Range (Volts)	Load Rating Tungsten (Watts)	Load Rating Ballast (VA)	Turn ON (Fc)	OFF/ON Ratio
TL-115	120	105 - 130	1800	1100	1.5	4 : 1
CPGI-ALR-TL-115	120	105 - 130	1800	1100	1.5	4 : 1
TL-1168	208/240/277	185 - 305	1200	1100	1.5	4 : 1

Note: 6" lead wires

Specifications

Physical	Enclosure: designed to meet UL 773
	Power consumption: less than 0.9 watts (avg.) at 120 VAC
Temperature	Minus 40°C to plus 65°C @ 96% RH
Load Rating	1800 Watt Tungsten 1100 VA ballast
Light Sensor	Cadmium Sulfide Cell

TE Technical Support Center

USA:	+1 (800) 327-6996
Canada:	+1 (905) 475-6222
Mexico	+52 (0) 55-1106-0800
Latin/S. America:	+54 (0) 11-4733-2200
UK:	+44 (0) 800-267666
France:	+33 (0) 1-3420-8686
Netherlands:	+31 (0) 73-6246-999
China:	+86 (0) 400-820-6015

energy.te.com

