

**Long Barrel Aluminum Lug**  
**T&B Catalog Number:**

60230

**UPC Number:**

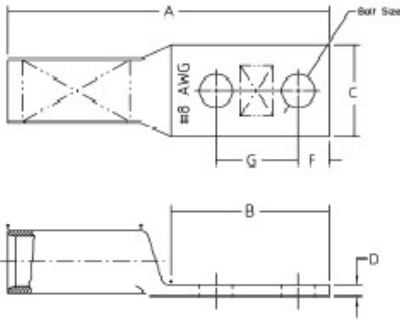
78621060230

**Status:**

Active

**Description:**

Aluminum Two-Hole Lug - Straight Long Barrel - max 35KV, 1/0 AWG Wire, 3/8" Bolt Size, 1" Hole Spacing, Tin Plated Blind End, Tan 50



**General**

Material	Aluminum
Finish	Tin Plated
Wire Size	1/0 AWG
Number of Studs	2
Stud Size	3/8
Bolt Hole Spacing	1
Tongue Angle	Straight
Barrel Length	Long
Barrel Shape	Standard
Tongue Width	Standard
Peep Hole	N
Marking	Standard
Hole Shape	Round
Die Color	Tan
Die Code	50

**Dimension Information**

A (inches)	3.5
B (inches)	1.9
C (inches)	.88
D (inches)	.19
E (inches)	.62
F (inches)	.38
G (inches)	1

**Specifications**

Voltage Rating	600V to 35KV
----------------	--------------

**Tooling**

Connector & Tooling Chart	Available on Website
---------------------------	----------------------

**Packaging**

T&B Order Multiple	10
T&B Inner Pack	10
Package in Units	100
T&B Sold in UOM	Each
T&B Weight Per UOM	7.3 lbs. per 100

**Application Support**

T&B Sales Drawings	wsd-000581
T&B Instruction Sheets	ta00880-tb2
Overview	Available on Website

**Notes**

Dimensions given for reference only. Dimensions may vary up to +/- .030.

**Certifications**

RoHS Compliance Yes

## Certifications



File Nbr:  
E9809

### For further technical assistance, please contact us...

Thomas & Betts - USA  
8155 T&B Blvd.  
Memphis, TN 38125  
[www.tnb.com](http://www.tnb.com)

T&B Technical Support  
MS 3B-50  
8155 T&B Blvd.  
Memphis, TN 38125

Hours: 7AM - 6PM CDT  
Monday-Friday  
Phone: (888) 862-3289  
Fax: (901) 252-1321  
Email: [techsupport@tnb.com](mailto:techsupport@tnb.com)