

# Color-Keyed®

## Long Barrel Aluminum Lug T&B Catalog Number:

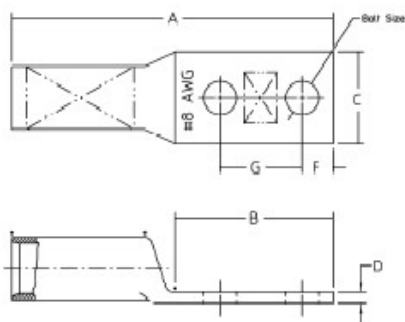


60250  
78621060250  
Active

**UPC Number:**  
**Status:**  
**Description:**

Aluminum Two-Hole Lug - Straight Long Barrel - max 35KV, 4/0 AWG Wire, 1/2" Bolt Size, 1 3/4" Hole Spacing, Tin Plated Blind End, White 66H

### General



Material	Aluminum
Finish	Tin Plated
Wire Size	4/0 AWG
Number of Studs	2
Stud Size	1/2
Bolt Hole Spacing	1 3/4
Tongue Angle	Straight
Barrel Length	Long
Barrel Shape	Standard
Tongue Width	Standard
Peep Hole	N
Marking	Standard
Hole Shape	Round
Die Color	White
Die Code	66H

### Dimension Information

A (inches)	5.65
B (inches)	3
C (inches)	1.21
D (inches)	.25
E (inches)	.86
F (inches)	.5
G (inches)	1.75

### Specifications

Voltage Rating	600V to 35KV
----------------	--------------

### Tooling

Connector & Tooling Chart	Available on Website
---------------------------	----------------------

### Packaging

T&B Order Multiple	5
T&B Inner Pack	5
Package in Units	50
T&B Sold in UOM	Each
T&B Weight Per UOM	20.8 lbs. per 100

### Application Support

T&B Sales Drawings	wsd-000581
T&B Instruction Sheets	ta00880-tb2
Overview	Available on Website

### Notes

Dimensions given for reference only. Dimensions may vary up to +/- .030.

## Certifications

RoHS Compliance Yes

## Certifications



File Nbr:  
E9809

### For further technical assistance, please contact us...

Thomas & Betts - USA  
8155 T&B Blvd.  
Memphis, TN 38125  
www.tnb.com

T&B Technical Support  
MS 3B-50  
8155 T&B Blvd.  
Memphis, TN 38125

Hours: 7AM - 6PM CDT  
Monday-Friday  
Phone: (888) 862-3289  
Fax: (901) 252-1321  
Email:techsupport@tnb.com