

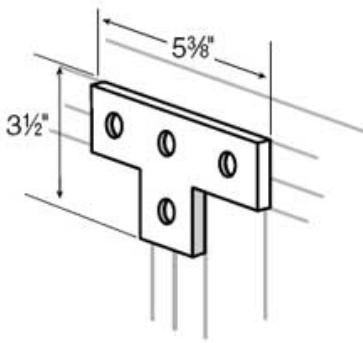
Superstrut[®]

Fittings & Brackets (Series 200)
T&B Catalog Number:

AB220 EG
 61601301135
 Active

UPC Number:
Status:
Description:

Four hole Steel Tee Plate with SilverGalv finish.



General

Material	Steel
Finish	SilverGalv™
Number of Holes	4

Dimension Information

Hole Diameter (inches)	9/16
Hole Spacing From End (inches)	13/16
Hole Spacing On Center (inches)	1 7/8
Material Thickness (inches)	1/4
Material Width (inches)	1 5/8

Packaging

Package in Units	25
T&B Sold in UOM	Each
T&B Weight Per UOM	76.8 lbs. per 100

Application Support

Metal Framing Channels-Series 1000	Available on Website
Finishes	Available on Website
Fittings & Brackets-Series 200	Available on Website

Certifications

RoHS Compliance	Yes
-----------------	-----

For further technical assistance, please contact us...

Thomas & Betts - USA
 8155 T&B Blvd.
 Memphis, TN 38125
 www.tnb.com

T&B Technical Support
 MS 3B-50
 8155 T&B Blvd.
 Memphis, TN 38125

Hours: 7AM - 6PM CDT
 Monday-Friday
 Phone: (888) 862-3289
 Fax: (901) 252-1321
 Email:techsupport@tnb.com