

Products

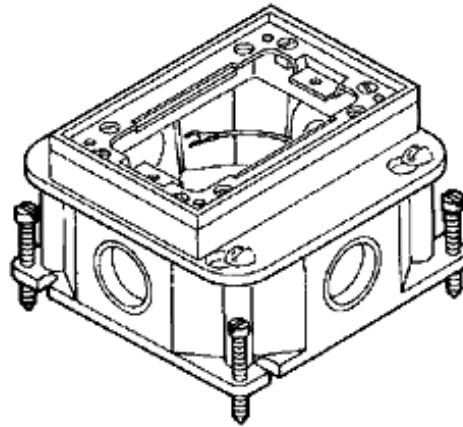
- › [Index](#)
- › [Featured Products](#)
- › [Cross Reference](#)
- › [UPC Search](#)

Product Datasheet

[Catalog Home](#) [Home Page](#)

[Search](#)

6262 -- 1 Device, Rectangular, Fully Adjustable, Cast Iron, Concrete Floor Box



Product Specifications

Box Type	RACO Floor Boxes & Covers
Box Family	For Concrete Floors
Box Category	Cast Iron Concrete Floor Boxes
Category	Rectangular Cast Iron
Side Knockout(s)	4, 3/4"
Number of Devices or Gangs	1
Cubic Inch Capacity	33.0
UPC Number	050169062623
Minimum Pack Qty.	4
Material	Cast Iron
Min. Pour Depth	3-3/4"
Inner Leaf 2 of 5 Bar Code	50050169062628
Before Pour Ext. Ht. Adjust.	1.25"
After Pour Int. Final Adjust.	.38"
Unit Carton Quantity	4
Weight (Per/C)	428

Applications

- Rectangular series floor boxes are ideally suited for heavy floor traffic applications, such as malls, department stores, banks and schools
- Floor boxes are installed in poured concrete floors and are fed with conduit
- Floor boxes are used in branch circuit wiring

Product Features

- Cast iron, water tight body, fully adjustable floor box
- Cast iron construction with gray powder coat finish for corrosion resistance
- 3/4" knockouts; all bottom knockouts are accessible

Compliances

UL listed & CSA listed

Country of Origin

MADE IN THE U.S.A.

