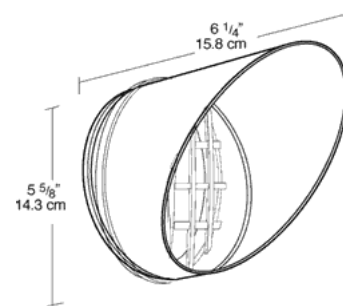


# HV1A

Die cast aluminum visor with integral metal grill and tempered glass lens for maximum glare reduction and lamp protection. Guard protects lamp from damage and vandalism. Die cast aluminum.

Color: Bronze

Weight: 1.8 lbs



## Technical Specifications

### Material:

Die cast aluminum

### Guard:

Designed to fit the H101 and HB101.

### Stealth Accessory:

Guards also fit RAB's Stealth Bullet and Bell Flood Kits.

### Visor:

Visor includes glass.

### Patents:

RAB sensor and fixture designs are protected under U.S. and International Intellectual Property laws.